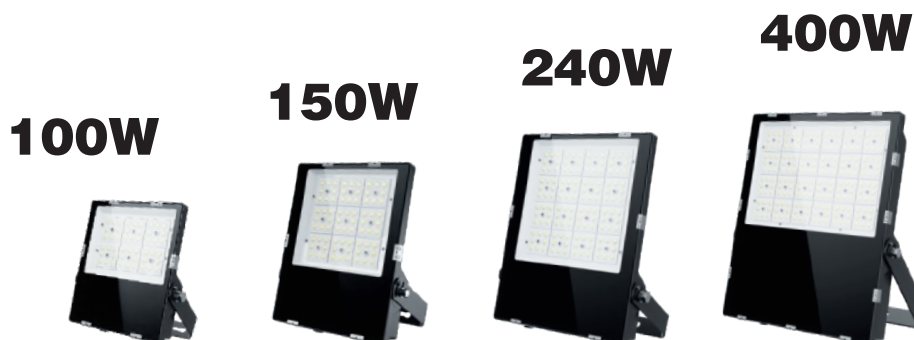
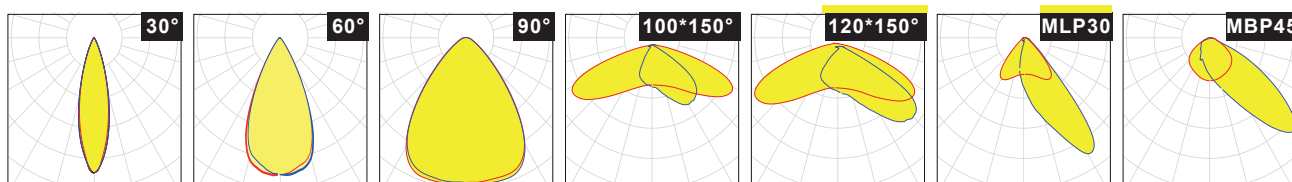


PROJECTOR FL357

Projector Flood light, construção em alumínio injectado (96 W/m·K), vidro temperado, leds CREE, 4000K, drivers OSRAM e MEANWELL, PF: >95, eficiência >93%, protecção fusível 6KV, IP6 - IK 8/10, potências de 100W a 400W, L90B10>50 000 H



Optical options:



150lm/w

5 YEARS WARRANTY

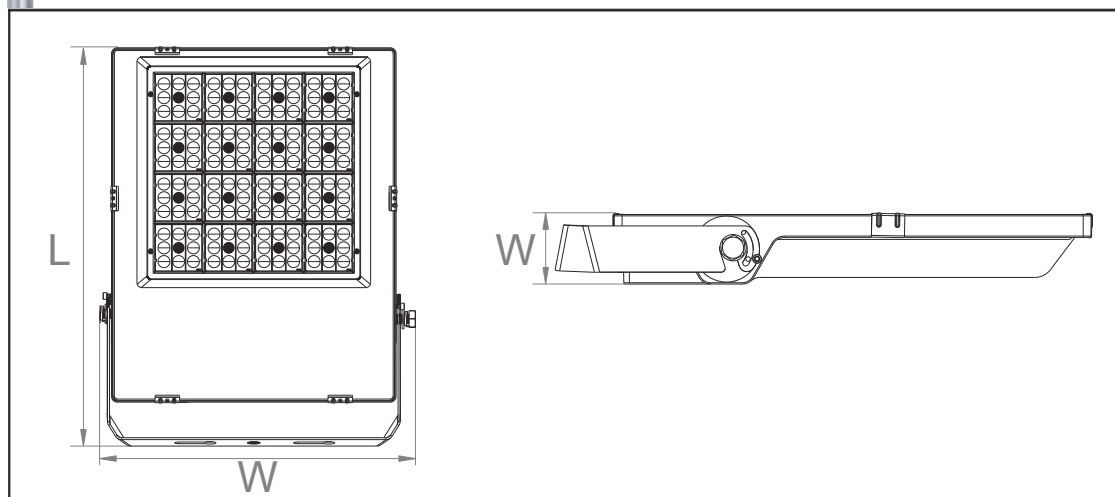
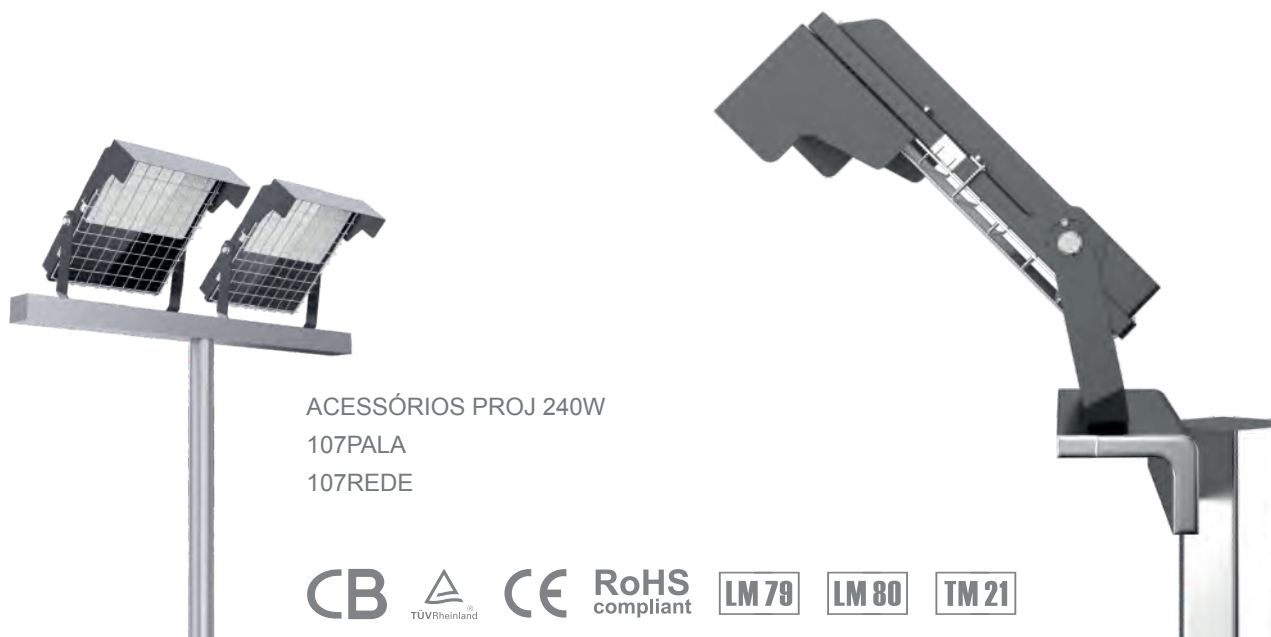
Meanwell Driver

Cree LED

Features

- Housing: Die Cast Aluminum
- Thermal Conductivity: 96 W/m·K
- Led: Cree 3030
- CRI: Ra>70
- SDCM: <6
- Power Factor: >0.95
- THD: <15
- Driver: Meanwell
- Driver Efficiency: >93%
- Protection: OTP, OCP, OVP, SCP
- Surge Protection: 6KV
- Waterproof: IP66
- Impact Test: IK08&IK10
- Electrical: 100-277V, 50/60Hz
- Operating Temperature: -40~50°C
- TM21: L90B10>50,000H
- Lifetime: 50,000H





Model	Watt	Voltage	Lumen	CRI	IP	Dimension
10710012X15	100W	100~277V	15000LM	>70	IP66	292*246*53
10715012X15	150W	100~277V	22500LM	>70	IP66	336*264*53
107240A30	240W	100~277V	36000LM	>70	IP66	407*328*53
107400A30	400W	100~277V	60000LM	>70	IP66	496*411*71

Model	Outer Carton(mm)			QTY / Outer CTN	Luminaire	
	L	W	H		NW(kg)	GW(kg)
10710012X15	370	275	105	1	2.50	2.90
10715012X15	415	330	120	1	3.30	3.80
107240A30	485	385	140	1	5.45	6.10
107400A30	586	473	165	1	9.60	10.20