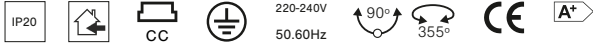


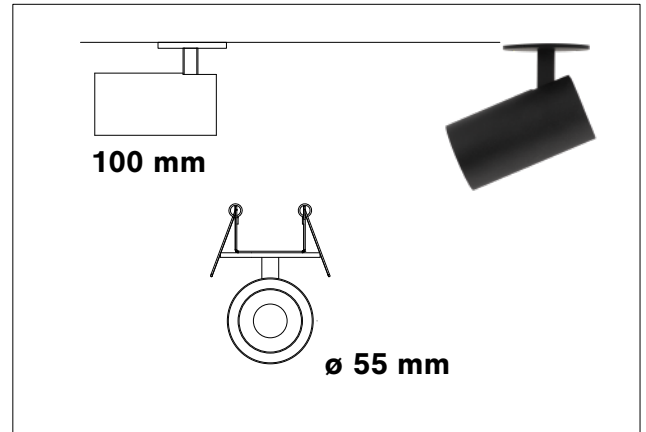
TUBE S 12,5W



Technical data

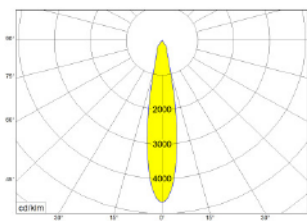
Installation	Surface
Luminaire type	Spot Projector
Housing Finish Color / RAL	Black / White
Dimensions	---
Environment	Interior
Controls	On / Off / Dali
Led	COB
Optics	Lens 15°_24°_36°
Optics technology	PC
Light emission direction	↻ 90° ↻ 355°
Nominal Power	
Total Luminaire Power	12,5W
Flux Total	1540
Efficacy	
LOR	90%
Voltage	230VDC
CCT	2.7K / 3K / 4K
Colour rendering index	90 Ra
C.C. / C.V.	CC
Driver	External
Safety class	⊕
IP	IP20
Direct mounting on normally flammable surfaces	Yes
CE	Yes
Operating temperature	-20 / +50
Driver included	Yes
Typ. efficiency (full load)	> 91
Output LF current ripple	< 5
Overload protection / Short-circuit protection	Yes
Emergency mode	No
Cable included / length	Yes
WARRANTY	5 YEARS

L80B10 (T_j=85°C) >60.000h

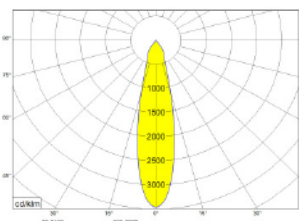


tender txt

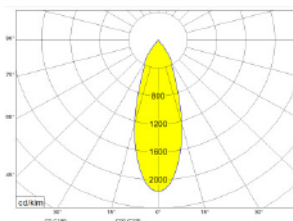
Projector Led para tecto, corpo em alumínio injectado, pintura electrostatica poliester. Lentes em policarbonato, aberturas de 15°, 24° e 36°. Driver externo. Orientável 355° no eixo horizontal e 90° no eixo vertical. Disponíveis CCTs, 2700k, 3000K e 4000K. CRI > 90. Última geração de COBs, eficiência até 160 lm/W para tp = 65 °C. Garantia 5 anos.



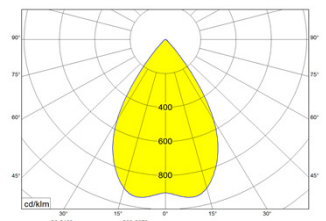
SPOT



MEDIUM



FLOOD

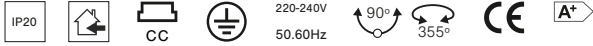


WIDE FLOOD

V2020_1

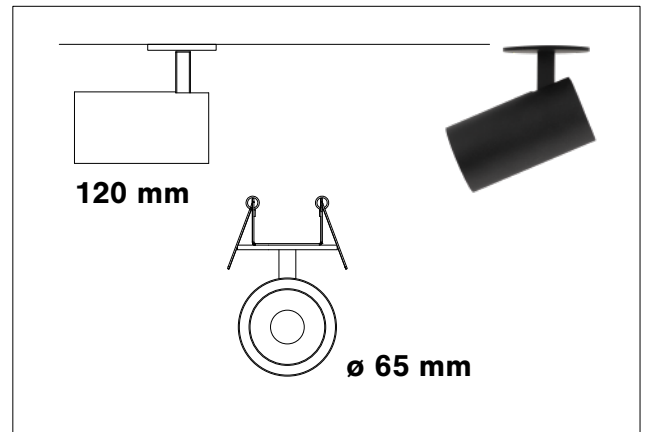
The stated luminous flux and rated electrical input power is subject to a tolerance of +/- 10%, the stated color temperature also has a tolerance of +/- 150 Kelvin. We reserve the right to make technical changes without prior notice.

TUBE S 20W



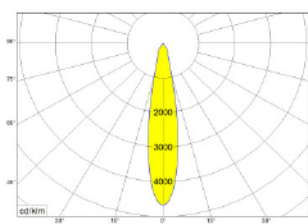
Technical data

Installation	Surface
Luminaire type	Spot Projector
Housing Finish Color / RAL	Black / White
Dimensions	---
Environment	Interior
Controls	On / Off / Dali
Led	COB
Optics	Lens 15°_24°_36°
Optics technology	PC
Light emission direction	↻ 90° ↻ 355°
Nominal Power	
Total Luminaire Power	20W
Flux Total	2200
Efficacy	
LOR	90%
Voltage	230VDC
CCT	2.7K / 3K / 4K
Colour rendering index	90 Ra
C.C. / C.V.	CC
Driver	External
Safety class	⊕
IP	IP20
Direct mounting on normally flammable surfaces	Yes
CE	Yes
Operating temperature	-20 / +50
Driver included	Yes
Typ. efficiency (full load)	> 91
Output LF current ripple	< 5
Overload protection / Short-circuit protection	Yes
Emergency mode	No
Cable included / length	Yes
WARRANTY	5 YEARS
L80B10 (Tj=85°C) >60.000h	

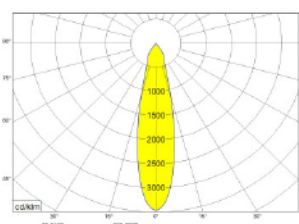


tender txt

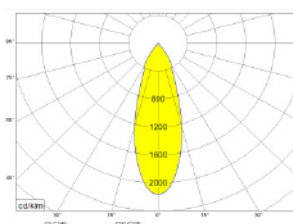
Projector Led para tecto, corpo em alumínio injectado, pintura electrostatica poliester. Lentes em policarbonato, aberturas de 15°, 24° e 36°. Driver externo. Orientável 355° no eixo horizontal e 90° no eixo vertical. Disponíveis CCTs, 2700K, 3000K e 4000K. CRI > 90. Última geração de COBs, eficiência até 160 lm/W para tp = 65 °C. Garantia 5 anos.



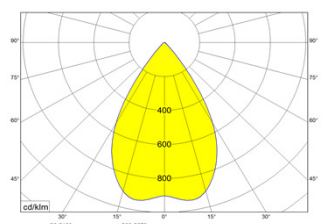
SPOT



MEDIUM



FLOOD

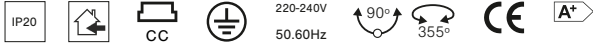


WIDE FLOOD

V2020_1

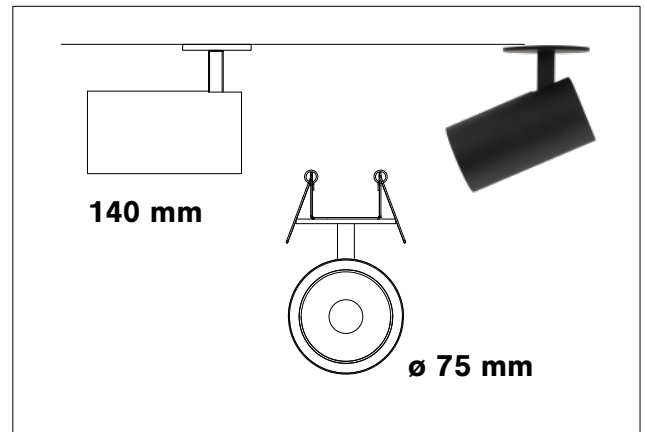
The stated luminous flux and rated electrical input power is subject to a tolerance of +/- 10%, the stated color temperature also has a tolerance of +/- 150 Kelvin. We reserve the right to make technical changes without prior notice.

TUBE S 30W



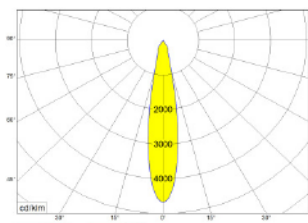
Technical data

Installation	Surface
Luminaire type	Spot Projector
Housing Finish Color / RAL	Black / White
Dimensions	---
Environment	Interior
Controls	On / Off / Dali
Led	COB
Optics	Lens 15°_24°_36°
Optics technology	PC
Light emission direction	↻ 90° ↻ 355°
Nominal Power	
Total Luminaire Power	28 W
Flux Total	3050
Efficacy	
LOR	90%
Voltage	230VDC
CCT	2.7K / 3K / 4K
Colour rendering index	90 Ra
C.C. / C.V.	CC
Driver	External
Safety class	⊕
IP	IP20
Direct mounting on normally flammable surfaces	Yes
CE	Yes
Operating temperature	-20 / +50
Driver included	Yes
Typ. efficiency (full load)	> 91
Output LF current ripple	< 5
Overload protection / Short-circuit protection	Yes
Emergency mode	No
Cable included / length	Yes
WARRANTY	5 YEARS
L80B10 (Tj=85°C) >60.000h	

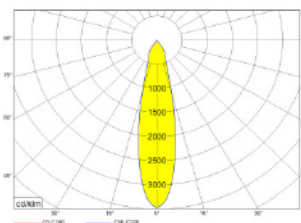


tender txt

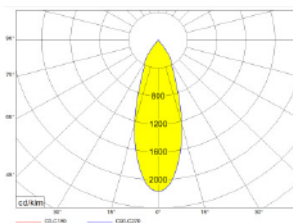
Projector Led para tecto, corpo em alumínio injectado, pintura electrostatica poliester. Lentes em policarbonato, aberturas de 15°, 24° e 36°. Driver externo. Orientável 355° no eixo horizontal e 90° no eixo vertical. Disponíveis CCTs, 2700k, 3000K e 4000K. CRI > 90. Última geração de COBs, eficiência até 160 lm/W para $t_p = 65^\circ\text{C}$. Garantia 5 anos.



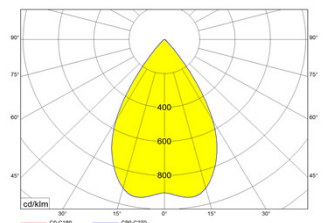
SPOT



MEDIUM



FLOOD



WIDE FLOOD

V2020_1

The stated luminous flux and rated electrical input power is subject to a tolerance of +/- 10%, the stated color temperature also has a tolerance of +/- 150 Kelvin. We reserve the right to make technical changes without prior notice.

TUBE D BRANCO DALI

08091001D.10	TUBE D 12,5W 2700K 15° BRANCO 230 VAC DALI	105,00 €
08091001D.20	TUBE D 20W 2700K 15° BRANCO 230 VAC DALI	120,00 €
08091001D.30	TUBE D 30W 2700K 15° BRANCO 230 VAC DALI	135,00 €
08091002D.10	TUBE D 12,5W 2700K 24° BRANCO 230 VAC DALI	105,00 €
08091002D.20	TUBE D 20W 2700K 24° BRANCO 230 VAC DALI	120,00 €
08091002D.30	TUBE D 30W 2700K 24° BRANCO 230 VAC DALI	135,00 €
08091003D.10	TUBE D 12,5W 2700K 36° BRANCO 230 VAC DALI	120,00 €
08091003D.20	TUBE D 20W 2700K 36° BRANCO 230 VAC DALI	135,00 €
08091003D.30	TUBE D 30W 2700K 36° BRANCO 230 VAC DALI	105,00 €
08091004D.10	TUBE D 12,5W 3000K 15° BRANCO 230 VAC DALI	120,00 €
08091004D.20	TUBE D 20W 3000K 15° BRANCO 230 VAC DALI	135,00 €
08091004D.30	TUBE D 30W 3000K 15° BRANCO 230 VAC DALI	105,00 €
08091005D.10	TUBE D 12,5W 3000K 24° BRANCO 230 VAC DALI	120,00 €
08091005D.20	TUBE D 20W 3000K 24° BRANCO 230 VAC DALI	135,00 €
08091005D.30	TUBE D 30W 3000K 24° BRANCO 230 VAC DALI	105,00 €
08091006D.10	TUBE D 12,5W 3000K 36° BRANCO 230 VAC DALI	120,00 €
08091006D.20	TUBE D 20W 3000K 36° BRANCO 230 VAC DALI	135,00 €
08091006D.30	TUBE D 30W 3000K 36° BRANCO 230 VAC DALI	105,00 €
08091007D.10	TUBE D 12,5W 4000K 15° BRANCO 230 VAC DALI	135,00 €
08091007D.20	TUBE D 20W 4000K 15° BRANCO 230 VAC DALI	105,00 €
08091007D.30	TUBE D 30W 4000K 15° BRANCO 230 VAC DALI	120,00 €
08091008D.10	TUBE D 12,5W 4000K 24° BRANCO 230 VAC DALI	105,00 €
08091008D.20	TUBE D 20W 4000K 24° BRANCO 230 VAC DALI	120,00 €
08091008D.30	TUBE D 30W 4000K 24° BRANCO 230 VAC DALI	135,00 €
08091009D.10	TUBE D 12,5W 4000K 36° BRANCO 230 VAC DALI	90,00 €
08091009D.20	TUBE D 20W 4000K 36° BRANCO 230 VAC DALI	105,00 €
08091009D.30	TUBE D 30W 4000K 36° BRANCO 230 VAC DALI	120,00 €
08091010.10	TUBE D 12,5W 4000K 15° BRANCO 230 VAC DALI	135,00 €
08091010.20	TUBE D 20W 4000K 15° BRANCO 230 VAC DALI	105,00 €
08091010.30	TUBE D 30W 4000K 15° BRANCO 230 VAC DALI	120,00 €

TUBE D BRANCO ON/OFF

08091011.10	TUBE D 12,5W 2700K 15° BRANCO 230 VAC	90,00 €
08091011.20	TUBE D 20W 2700K 15° BRANCO 230 VAC	105,00 €
08091011.30	TUBE D 30W 2700K 15° BRANCO 230 VAC	120,00 €
08091012.10	TUBE D 12,5W 2700K 24° BRANCO 230 VAC	90,00 €
08091012.20	TUBE D 12,5W 2700K 24° BRANCO 230 VAC	105,00 €
08091012.30	TUBE D 20W 2700K 24° BRANCO 230 VAC	120,00 €
08091013.10	TUBE D 30W 2700K 24° BRANCO 230 VAC	90,00 €
08091013.20	TUBE D 12,5W 2700K 36° BRANCO 230 VAC	105,00 €
08091013.30	TUBE D 20W 2700K 36° BRANCO 230 VAC	120,00 €
08091014.10	TUBE D 30W 2700K 36° BRANCO 230 VAC	90,00 €
		105,00 €
08091014.20	TUBE D 12,5W 3000K 15° BRANCO 230 VAC	120,00 €
08091014.30	TUBE D 20W 3000K 15° BRANCO 230 VAC	90,00 €
08091015.10	TUBE D 30W 3000K 15° BRANCO 230 VAC	105,00 €
08091015.20	TUBE D 12,5W 3000K 24° BRANCO 230 VAC	120,00 €
08091015.30	TUBE D 20W 3000K 24° BRANCO 230 VAC	90,00 €
08091016.10	TUBE D 30W 3000K 24° BRANCO 230 VAC	105,00 €
08091016.20	TUBE D 12,5W 3000K 36° BRANCO 230 VAC	120,00 €
08091016.30	TUBE D 20W 3000K 36° BRANCO 230 VAC	90,00 €
08091017.10	TUBE D 30W 3000K 36° BRANCO 230 VAC	105,00 €
08091017.20	TUBE D 12,5W 4000K 15° BRANCO 230 VAC	120,00 €
08091017.30	TUBE D 20W 4000K 15° BRANCO 230 VAC	90,00 €
08091018.10	TUBE D 30W 4000K 15° BRANCO 230 VAC	105,00 €
08091018.20	TUBE D 12,5W 4000K 24° BRANCO 230 VAC	120,00 €
08091018.30	TUBE D 20W 4000K 24° BRANCO 230 VAC	105,00 €
08091019D.10	TUBE D 30W 4000K 24° BRANCO 230 VAC	135,00 €
08091019D.20	TUBE D 12,5W 4000K 36° BRANCO 230 VAC	120,00 €
08091019D.30	TUBE D 20W 4000K 36° BRANCO 230 VAC	105,00 €
08091020D.10	TUBE D 30W 4000K 36° BRANCO 230 VAC	135,00 €
08091020D.20	TUBE D 12,5W 4000K 36° BRANCO 230 VAC	120,00 €
08091020D.30	TUBE D 20W 4000K 36° BRANCO 230 VAC	105,00 €

TUBE D PRETO DALI

08091019D.10	TUBE D 12,5W 2700K 15° PRETO 230 VAC DALI	105,00 €
08091019D.20	TUBE D 20W 2700K 15° PRETO 230 VAC DALI	120,00 €
08091019D.30	TUBE D 30W 2700K 15° PRETO 230 VAC DALI	135,00 €
08091020D.10	TUBE D 12,5W 2700K 24° PRETO 230 VAC DALI	105,00 €
08091020D.20	TUBE D 20W 2700K 24° PRETO 230 VAC DALI	120,00 €
08091020D.30	TUBE D 30W 2700K 24° PRETO 230 VAC DALI	135,00 €
08091021D.10	TUBE D 12,5W 2700K 36° PRETO 230 VAC DALI	105,00 €
08091021D.20	TUBE D 20W 2700K 36° PRETO 230 VAC DALI	120,00 €
08091021D.30	TUBE D 30W 2700K 36° PRETO 230 VAC DALI	135,00 €
08091022D.10	TUBE D 12,5W 3000K 15° PRETO 230 VAC DALI	105,00 €
08091022D.20	TUBE D 20W 3000K 15° PRETO 230 VAC DALI	120,00 €
08091022D.30	TUBE D 30W 3000K 15° PRETO 230 VAC DALI	135,00 €
08091023D.10	TUBE D 12,5W 3000K 24° PRETO 230 VAC DALI	105,00 €
08091023D.20	TUBE D 20W 3000K 24° PRETO 230 VAC DALI	120,00 €
08091023D.30	TUBE D 30W 3000K 24° PRETO 230 VAC DALI	135,00 €
08091024D.10	TUBE D 12,5W 3000K 36° PRETO 230 VAC DALI	105,00 €
08091024D.20	TUBE D 20W 3000K 36° PRETO 230 VAC DALI	120,00 €
08091024D.30	TUBE D 30W 3000K 36° PRETO 230 VAC DALI	135,00 €
08091025D.10	TUBE D 12,5W 4000K 15° PRETO 230 VAC DALI	105,00 €
08091025D.20	TUBE D 20W 4000K 15° PRETO 230 VAC DALI	120,00 €
08091025D.30	TUBE D 30W 4000K 15° PRETO 230 VAC DALI	135,00 €
08091026D.10	TUBE D 12,5W 4000K 24° PRETO 230 VAC DALI	105,00 €
08091026D.20	TUBE D 20W 4000K 24° PRETO 230 VAC DALI	120,00 €
08091026D.30	TUBE D 30W 4000K 24° PRETO 230 VAC DALI	135,00 €
08091027D.10	TUBE D 12,5W 4000K 36° PRETO 230 VAC DALI	105,00 €
08091027D.20	TUBE D 20W 4000K 36° PRETO 230 VAC DALI	120,00 €
08091027D.30	TUBE D 30W 4000K 36° PRETO 230 VAC DALI	135,00 €

TUBE D PRETO ON/OFF

08091028.10	TUBE D 12,5W 2700K 15° PRETO 230 VAC	90,00 €
08091028.20	TUBE D 20W 2700K 15° PRETO 230 VAC	105,00 €
08091028.30	TUBE D 30W 2700K 15° PRETO 230 VAC	120,00 €
08091029.10	TUBE D 12,5W 2700K 24° PRETO 230 VAC	90,00 €
08091029.20	TUBE D 20W 2700K 24° PRETO 230 VAC	105,00 €
08091029.30	TUBE D 30W 2700K 24° PRETO 230 VAC	120,00 €
08091030.10	TUBE D 12,5W 2700K 36° PRETO 230 VAC	90,00 €
08091030.20	TUBE D 20W 2700K 36° PRETO 230 VAC	105,00 €
08091030.30	TUBE D 30W 2700K 36° PRETO 230 VAC	120,00 €
08091031.10	TUBE D 12,5W 3000K 15° PRETO 230 VAC	90,00 €
08091031.20	TUBE D 20W 3000K 15° PRETO 230 VAC	105,00 €
08091031.30	TUBE D 30W 3000K 15° PRETO 230 VAC	120,00 €
08091032.10	TUBE D 12,5W 3000K 24° PRETO 230 VAC	90,00 €
08091032.20	TUBE D 20W 3000K 24° PRETO 230 VAC	105,00 €
08091032.30	TUBE D 30W 3000K 24° PRETO 230 VAC	120,00 €
08091033.10	TUBE D 12,5W 3000K 36° PRETO 230 VAC	90,00 €
08091033.20	TUBE D 20W 3000K 36° PRETO 230 VAC	105,00 €
08091033.30	TUBE D 30W 3000K 36° PRETO 230 VAC	120,00 €
08091034.10	TUBE D 12,5W 4000K 15° PRETO 230 VAC	90,00 €
08091034.20	TUBE D 20W 4000K 15° PRETO 230 VAC	105,00 €
08091034.30	TUBE D 30W 4000K 15° PRETO 230 VAC	120,00 €
08091035.10	TUBE D 12,5W 4000K 24° PRETO 230 VAC	90,00 €
08091035.20	TUBE D 20W 4000K 24° PRETO 230 VAC	105,00 €
08091035.30	TUBE D 30W 4000K 24° PRETO 230 VAC	120,00 €
08091036.10	TUBE D 12,5W 4000K 36° PRETO 230 VAC	90,00 €
08091036.20	TUBE D 20W 4000K 36° PRETO 230 VAC	105,00 €
08091036.30	TUBE D 30W 4000K 36° PRETO 230 VAC	120,00 €