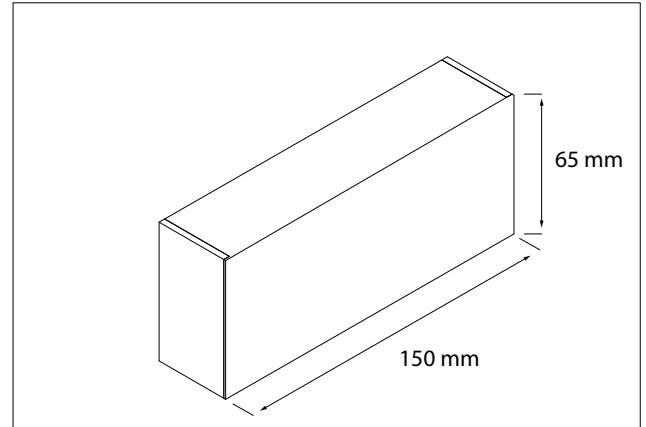


LINEBOX WALL 5W

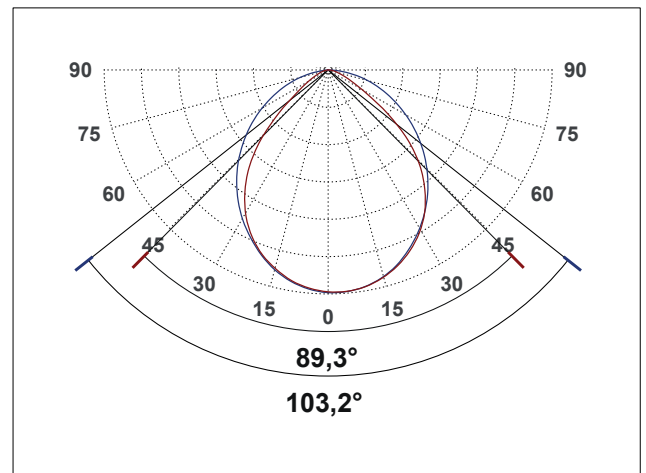
Code:
0601001.150X65
APLIQUE LINEBOX 150X65MM 5W 3000K IP20 BRANCO 230VAC

Code:
0601002.150X65
APLIQUE LINEBOX 150X65MM 5W 4000K IP20 BRANCO 230VAC



Technical data

Installation	Surface
Luminaire type	Wall light
Housing Finish Color / RAL	White / 9003
Dimensions	150 x 65 x 36
Environment	Interior
Controls	On / Off
Led	SMD 2835
Optics	Difuser
Optics technology	Opal PC
Type of light emission	Single emission
Light emission direction	Down or Up
Nominal Power	3.5 W
Total Luminaire Power	5 W
Flux Total	
Luminaire Flux	450 lm
Voltage	24V
CCT	4000 K
Colour rendering index	80 Ra
C.C. / C.V.	CV
Driver	Internal
Safety class	3
IP	IP65
Direct mounting on normally flammable surfaces	Yes
CE	Yes
Operating temperature	-20 / +50
Driver included	No
Typ. efficiency (full load)	> 91
Output LF current ripple	< 5
Overload protection / Short-circuit protection	Yes
Emergency mode	No
Cable included / length	Yes
Net weight	0.270 Kg



tender txt

Aplique de parede com design minimalista, fácil aplicação, sistema clip-in, sem parafusos visíveis. Emissão: cima / baixo; profundidade reduzida a 35mm, 150mm de comprimento, 65 mm altura. Modulo LED linear de baixa potência, Ra85; Potência total de 5W, Fluxo luminoso de 401Lm; CCT: 3000K/4000K; SDCM: 2; Risco foto biológico RG1; Corpo em alumínio extrudido, acabamento pintura poliéster electrostática RAL 9003, difusor opalino em PC; Driver integrado; 220-240VAC 50/60Hz; Classe isolamento: CLASS 1; Controlo: On/OFF; Class F; Energy Efficiency Index (EEI) A++

SCAN FOR A DIRECT LINK TO THE WEBSITE PRODUCT PAGE
 + product info: images, drawings, instalations notes and
 complete goniometer report



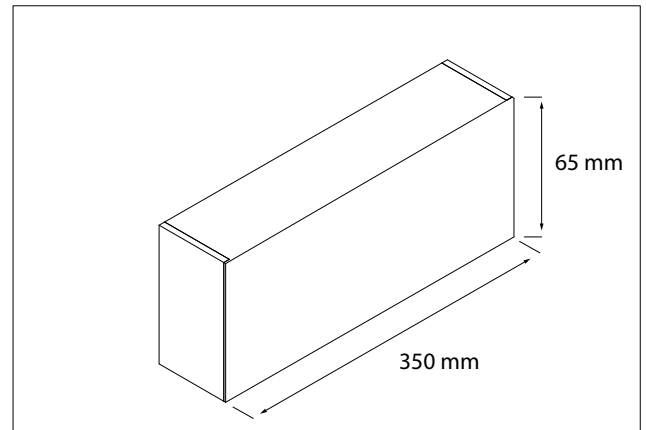
V2020_1

The stated luminous flux and rated electrical input power is subject to a tolerance of +/- 10%, the stated color temperature also has a tolerance of +/- 150 Kelvin. We reserve the right to make technical changes without prior notice.

LINEBOX WALL 12W

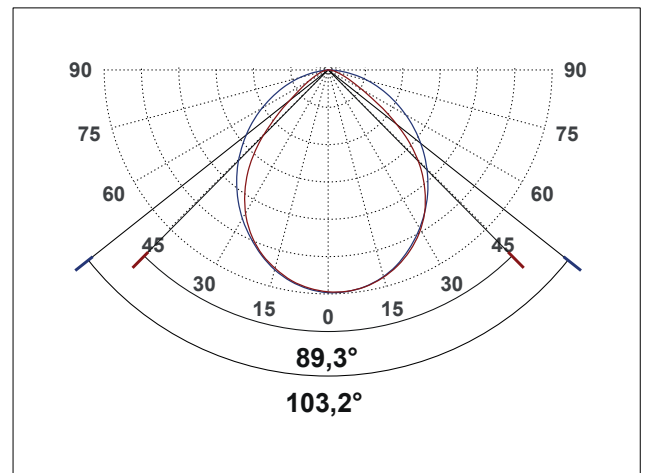
Code:
0601001.350X65
APLIQUE LINEBOX 350X65MM 12W 3000K IP20 BRANCO 230VAC

Code:
0601002.350X65
APLIQUE LINEBOX 350X65MM 12W 4000K IP20 BRANCO 230VAC



Technical data

Instalation	Surface
Luminaire type	Wall light
Housing Finish Color / RAL	White / 9003
Dimentions	350 x 65 x 36
Environment	Interior
Controls	On / Off
Led	SMD 2835
Optics	Difuser
Optics technology	Opal PC
Type of light emission	Single emission
Light emission direction	Down or Up
Nominal Power	9 W
Total Luminaire Power	12 W
Flux Total	
Luminaire Flux	1106 lm
Voltage	24V
CCT	4000 K
Colour rendering index	85 Ra
C.C. / C.V.	CV
Driver	Internal
Safety class	3
IP	IP20
Direct mounting on normally flammable surfaces	Yes
CE	Yes
Operating temperature	-20 / +50
Driver included	No
Typ. efficiency (full load)	> 90
Output LF current ripple	< 10
Overload protection / Short-circuit protection	Yes
Emergency mode	No
Cable included / length	Yes
Net weight	0.270 Kg



tender txt

Aplique de parede com design minimalista, fácil aplicação, sistema clip-in, sem parafusos visíveis. Emissão: cima / baixo; profundidade reduzida a 35mm, 150mm de comprimento, 65 mm altura. Modulo LED linear de baixa potência, Ra85; Potência total de 5W, Fluxo luminoso de 401Lm; CCT: 3000K/4000K; SDCM: 2; Risco foto biológico RG1; Corpo em alumínio extrudido, acabamento pintura poliéster electrostática RAL 9003, difusor opalino em PC; Driver integrado; 220-240VAC 50/60Hz; Classe isolamento: CLASS 1; Controlo: On/OFF; Class F; Energy Efficiency Index (EEI) A++

SCAN FOR A DIRECT LINK TO THE WEBSITE PRODUCT PAGE
 + product info: images, drawings, instalations notes and
 complete goniometer report



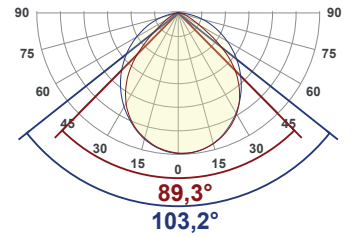
V2020_1

The stated luminous flux and rated electrical input power is subject to a tolerance of +/- 10%, the stated color temperature also has a tolerance of +/- 150 Kelvin. We reserve the right to make technical changes without prior notice.

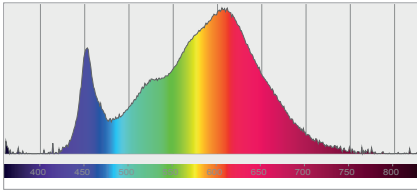
Product name: **LINEBOX 5W 3000K**

Item number:
0601001.150X65
Date and time:
22/01/2020 22:54:07

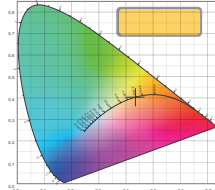
Color temperature: **3031 K**
Output: **345 Lumen**
Power: **4,7 W / METRO**
Light quality: **CRI: 83,8**



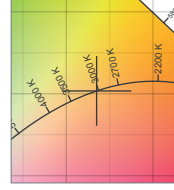
Spectral distribution



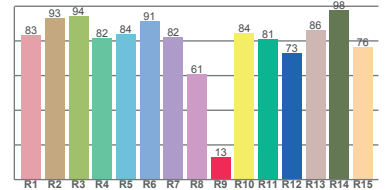
Color coordinates



White color point

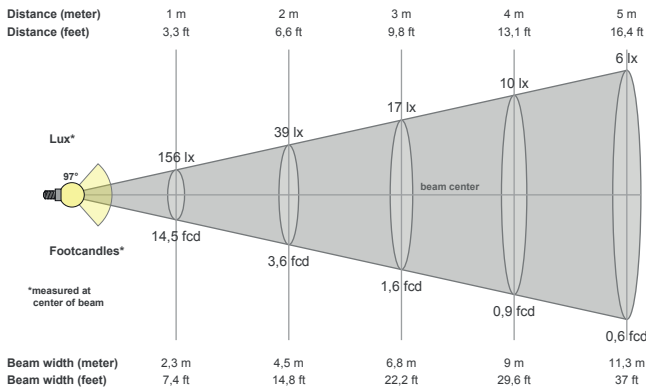


CRI R values



Color temperature	Color rendering index	Red component	Color fidelity	Color gamut	Color quality scale	Color coordinate cie 1931	Color coordinate cie 1931	Color coordinate	Color coordinate	Color deviation from black body
CCT	CRI	CRI R9	TM30 Rf	TM30 Rg	CQS	x	y	u	v	Δuv
3031 K	83,8	12,7	82,9	96,7	81,9	0,435	0,403	0,248	0,342	-0,0037

Beam details



Beam angles

Beam angle 50%	Field angle 10%	Cutoff angle 2,5%
96,9°	139,5°	161,1°

Beam intensities

Peak intensity	Int. ratio in 120° cone	Int. ratio in 90° cone
156 cd	87,9%	64,4%

Beam intensities from 1-20m

1m	2m	3m	4m	5m	6m	7m	8m	9m	10m	11m	12m	13m	14m	15m	16m	17m	18m	19m	20m
3,3ft	6,6ft	9,8ft	13,1ft	16,4ft	19,7ft	23ft	26,2ft	29,5ft	32,8ft	36,1ft	39,4ft	42,7ft	45,9ft	49,2ft	52,5ft	55,8ft	59,1ft	62,3ft	65,6ft
156lx	39lx	17lx	10lx	6lx	4lx	3lx	2lx	2lx	2lx	1lx	1lx	1lx	1lx	1lx	1lx	1lx	0lx	0lx	0lx
14,5fcd	3,6fcd	1,6fcd	0,9fcd	0,6fcd	0,4fcd	0,3fcd	0,2fcd	0,2fcd	0,1fcd	0,1fcd	0,1fcd	0,1fcd	0,1fcd	0,1fcd	0,1fcd	0,1fcd	0fcd	0fcd	0fcd

Power scope

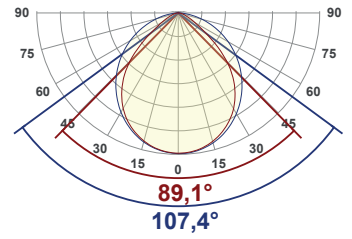
Nominal power	Power factor	Power frequency
4,7 W	0,95	{FREQ} Hz

Nominal voltage	Voltage	Current
230 V	235 V	0,020 A

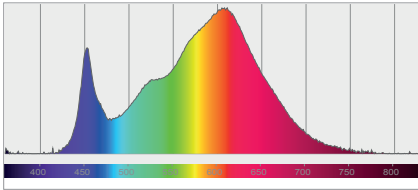
Product name: **LINEBOX 12W 3000K**

Item number:
0601001. 350X65
Date and time:
22/01/2020 22:10:36

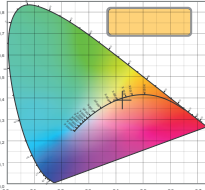
Color temperature: **3124 K**
Output: **1106 Lumen**
Power: **12,1 W / METRO**
Light quality: **CRI: 83,7**



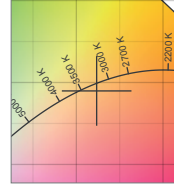
Spectral distribution



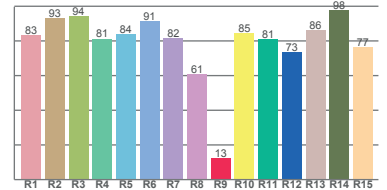
Color coordinates



White color point

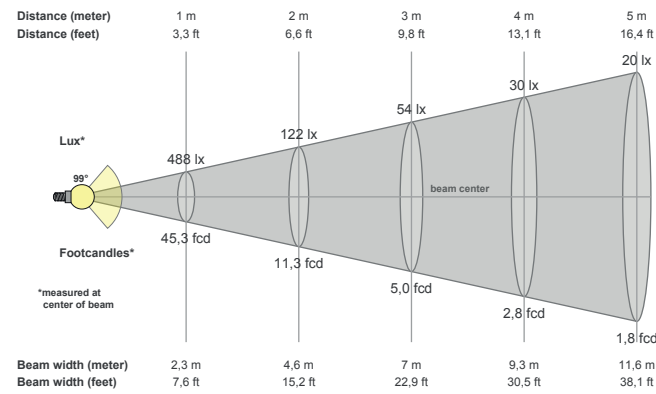


CRI R values



Color temperature	Color rendering index	Red component	Color fidelity	Color gamut	Color quality scale	Color coordinate cie 1931	Color coordinate cie 1931	Color coordinate	Color coordinate	Color deviation from black body
CCT	CRI	CRI R9	TM30 Rf	TM30 Rg	CQS	x	y	u	v	Δuv
3124 K	83,7	12,6	82,8	96,6	81,8	0,423	0,390	0,248	0,342	-0,0039

Beam details



Beam angles

Beam angle 50%	Field angle 10%	Cutoff angle 2,5%
98,6°	140,6°	162,3°

Beam intensities

Peak intensity	Int. ratio in 120° cone	Int. ratio in 90° cone
489 cd	87,6%	63,9%

Beam intensities from 1-20m

1m	2m	3m	4m	5m	6m	7m	8m	9m	10m	11m	12m	13m	14m	15m	16m	17m	18m	19m	20m
3,3ft	6,6ft	9,8ft	13,1ft	16,4ft	19,7ft	23ft	26,2ft	29,5ft	32,8ft	36,1ft	39,4ft	42,7ft	45,9ft	49,2ft	52,5ft	55,8ft	59,1ft	62,3ft	65,6ft
488lx	122lx	54lx	30lx	20lx	14lx	10lx	8lx	6lx	5lx	4lx	3lx	3lx	2lx	2lx	2lx	2lx	2lx	1lx	1lx
45,3fcd	11,3fcd	5fcd	2,8fcd	1,8fcd	1,3fcd	0,9fcd	0,7fcd	0,6fcd	0,5fcd	0,4fcd	0,3fcd	0,3fcd	0,2fcd	0,2fcd	0,2fcd	0,2fcd	0,2fcd	0,1fcd	0,1fcd

Power scope

Nominal power	Power factor	Power frequency
12,1 W	0,9	{FREQ } Hz

Nominal voltage	Voltage	Current
230 V	237 V	0,051 A