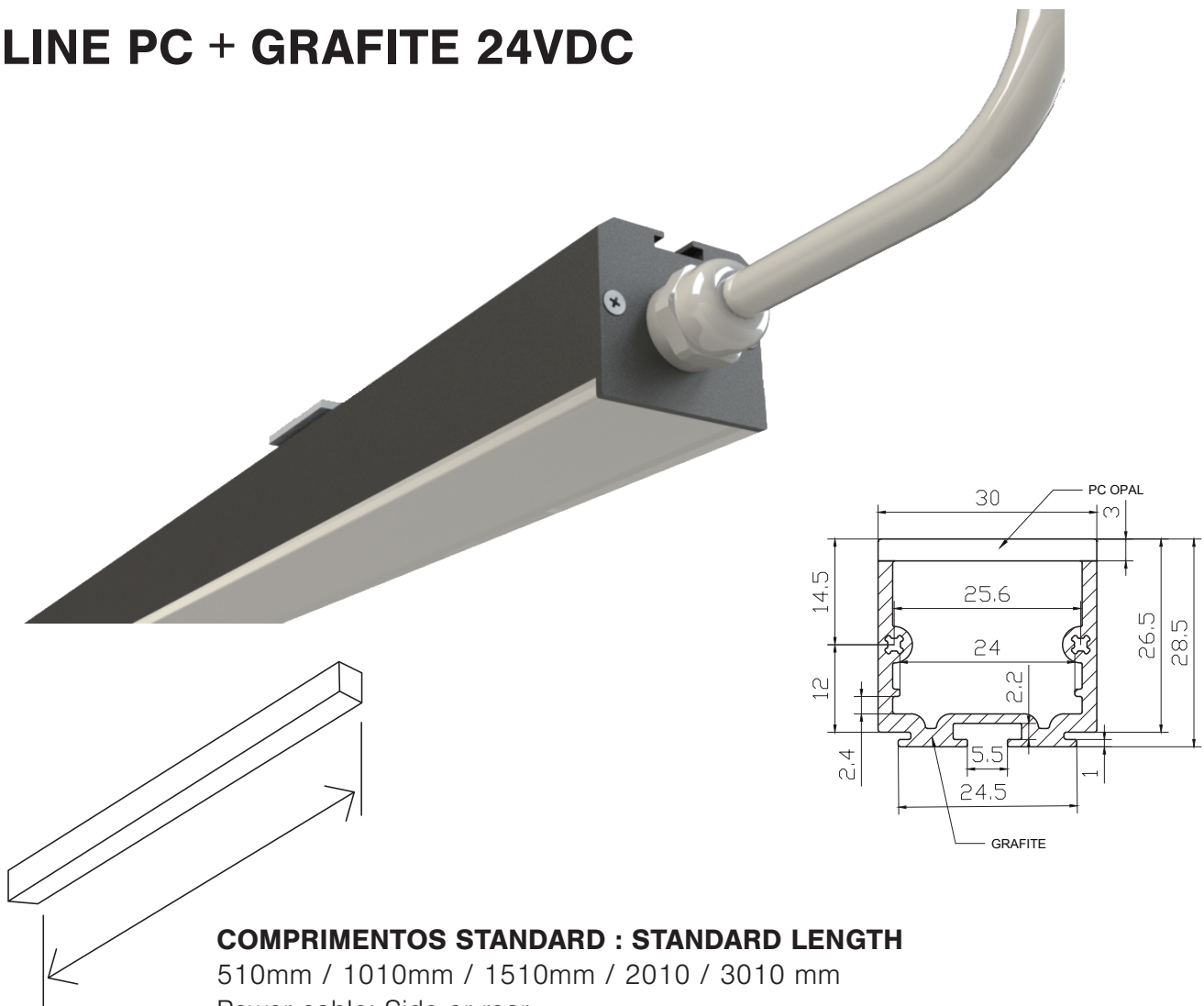


LINE PC + GRAFITE 24VDC



COMPRImentos STANDARD : STANDARD LENGTH

510mm / 1010mm / 1510mm / 2010 / 3010 mm

Power cable: Side or rear

Alimentação: Saída topo ou posterior

Luminária 230VAC, potência 20W/ metro

Luminária CLASS III, 24VDC, potência 20W/ metro. Perfil em policarbonato com grafite. A grafite confere a este perfil a capacidade de dissipação de calor, aumentando significativamente a vida útil dos chips. Saída lateral ou posterior da alimentação. Disponível luz monocromática 3000K ou 4000K e RGB. CRI: Índice de Restituição de Cor: Ra>90. Ideal para aplicação em exterior ou zonas húmidas.

Luminaire 24VDC, power 20W / meter

CLASS III luminaire, 24VDC, power 20W / meter. Polycarbonate profile with graphite. Graphite gives this profile the ability to dissipate heat, significantly increasing the useful life of the chips. Side or rear power feed. 3000K or 4000K and RGB monochrome light available. CRI: Color Rendering Index: Ra > 90. Ideal for application outdoors or in wet areas.

PC + GRAFITE Luminaire 230VAC, power 20W / meter

FINISH: Mate black

DIFUSER: Opaline

POWER: 20W/METER

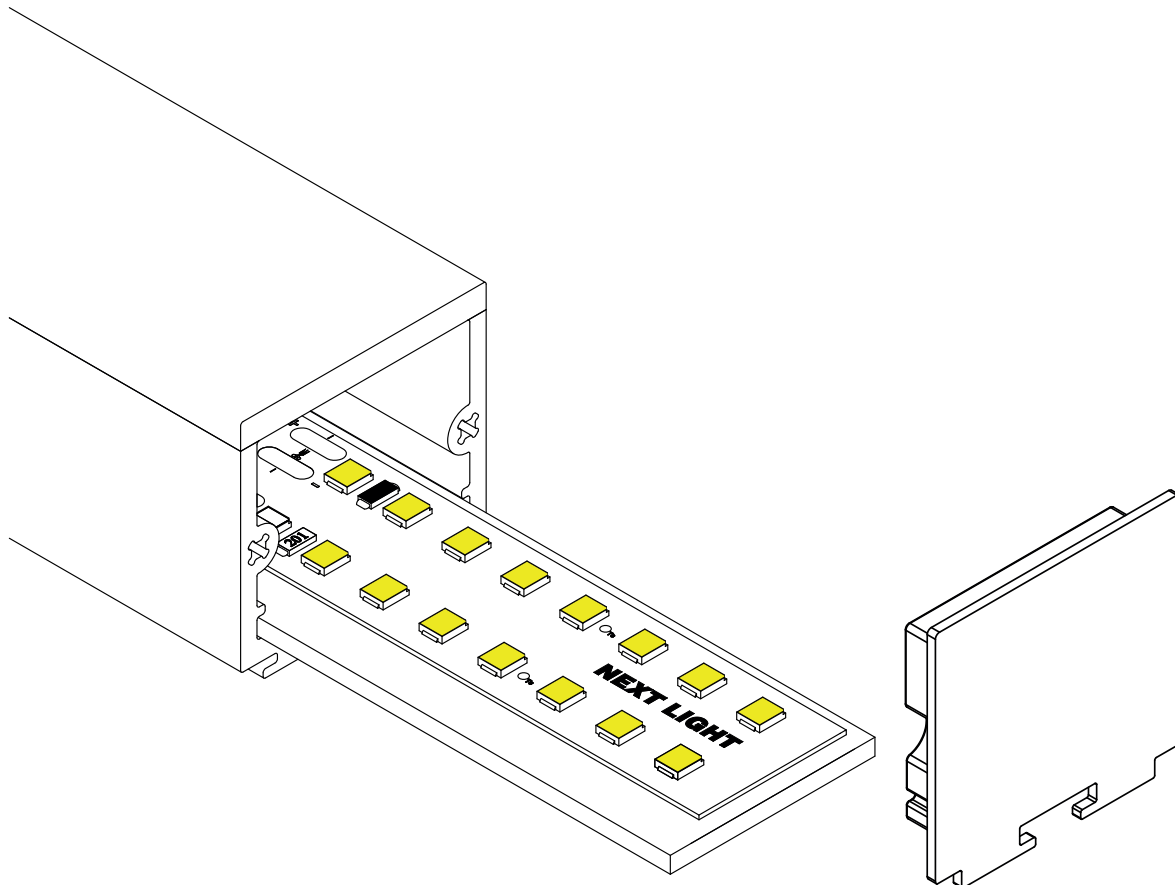
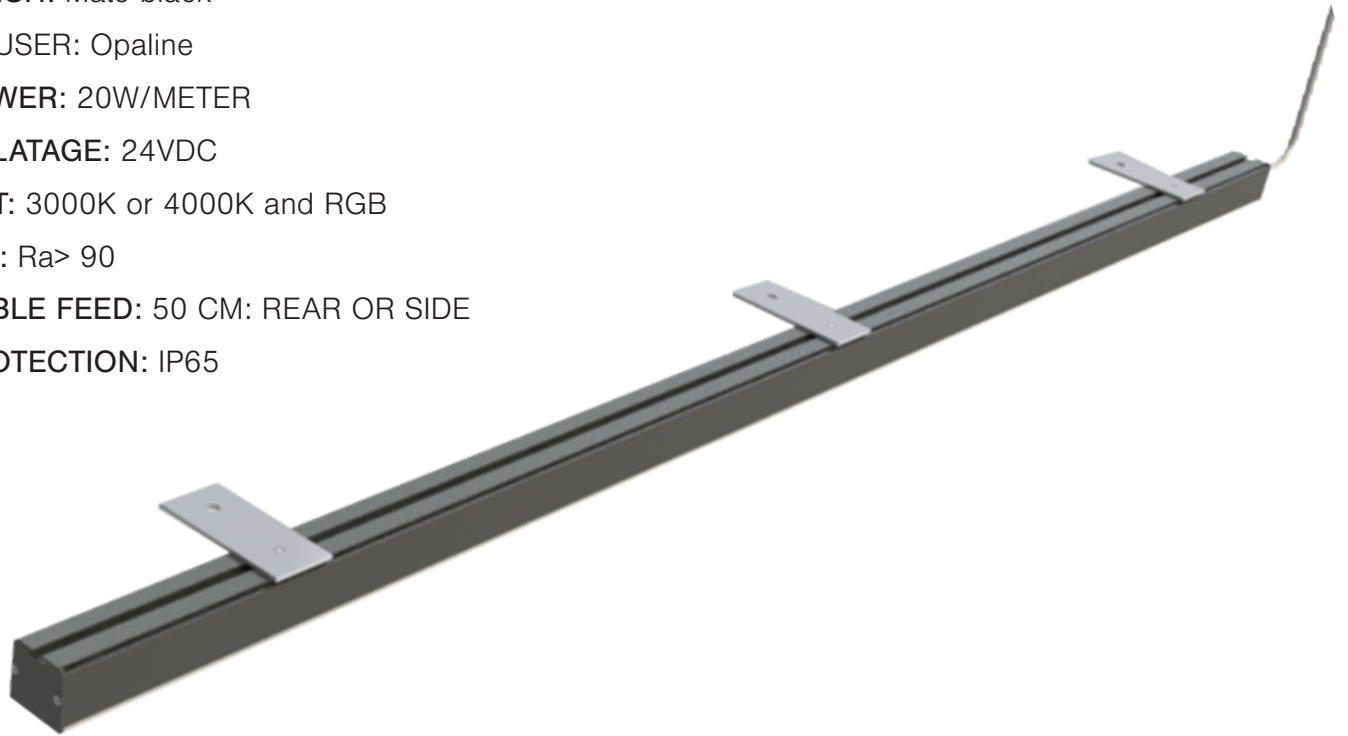
VOLATAGE: 24VDC

CCT: 3000K or 4000K and RGB

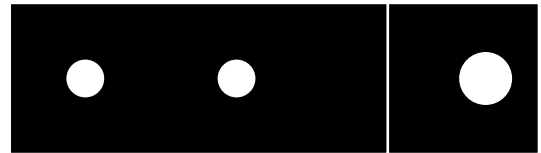
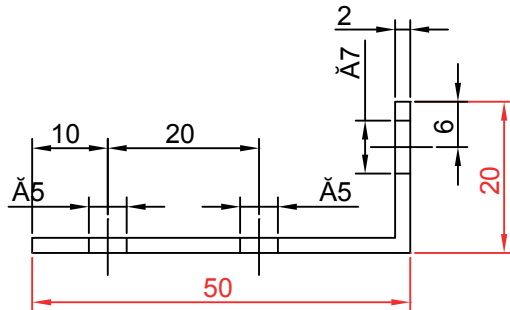
CRI: Ra > 90

CABLE FEED: 50 CM: REAR OR SIDE

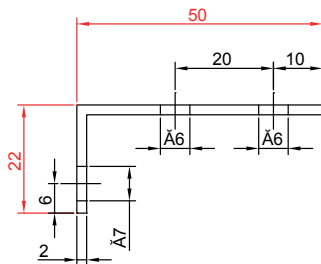
PROTECTION: IP65



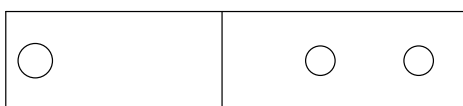
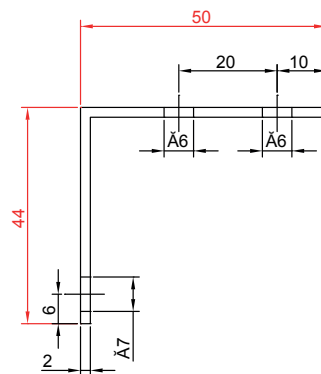
LINE PC + GRAFITE 24VDC



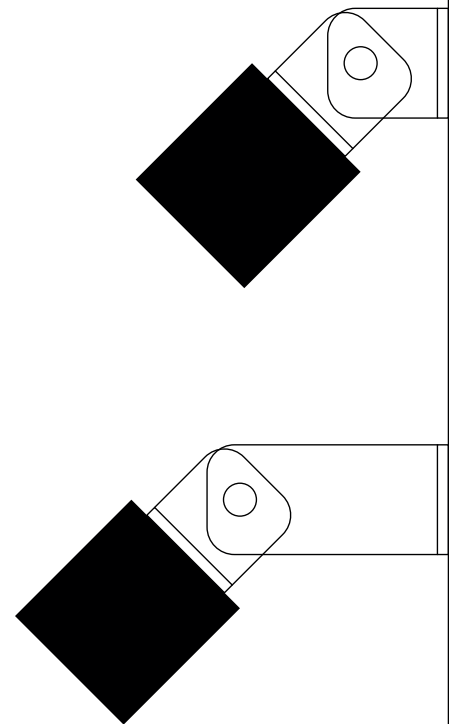
Peça base perfil



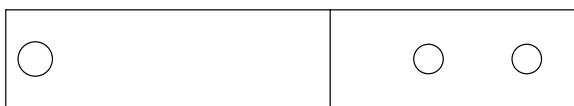
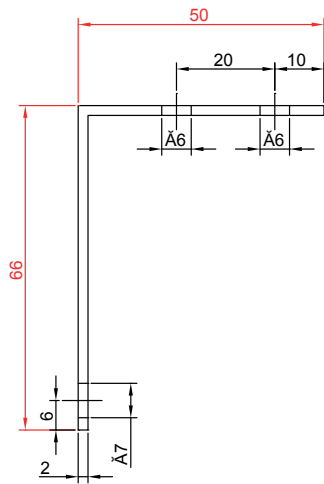
Arm 22 mm



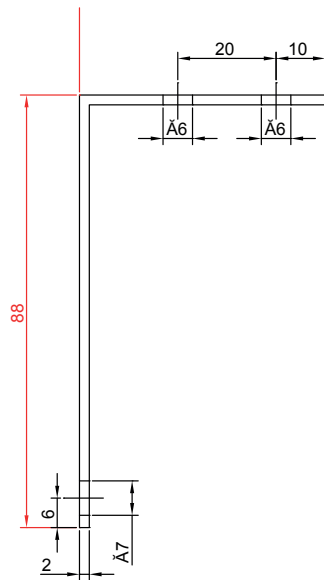
Arm 44 mm



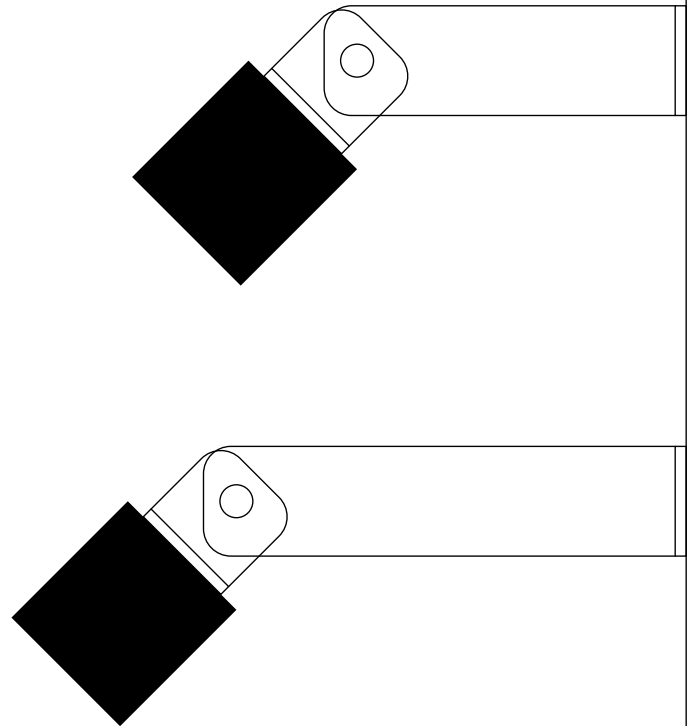
LINE PC + GRAFITE 24VDC



Arm 66 mm



Arm 88 mm



LINE PC + GRAFITE 24VDC

CÓDIGO	DESIGNAÇÃO
0202001.510	LINE PC + GRAFITE 24VDC 510MM 10W 2.7K OPAL 116° PRETO IP65
0202001.1010	LINE PC + GRAFITE 24VDC 1010MM 20W 2.7K OPAL 116° PRETO IP65
0202001.1510	LINE PC + GRAFITE 24VDC 1510MM 30W 2.7K OPAL 116° PRETO IP65
0202001.2010	LINE PC + GRAFITE 24VDC 2010MM 40W 2.7K OPAL 116° PRETO IP65
0202001.3010	LINE PC + GRAFITE 24VDC 3010MM 60W 2.7K OPAL 116° PRETO IP65
0202002.510	LINE PC + GRAFITE 24VDC 510MM 10W 3K OPAL 116° PRETO IP65
0202002.1010	LINE PC + GRAFITE 24VDC 1010MM 20W 3K OPAL 116° PRETO IP65
0202002.1510	LINE PC + GRAFITE 24VDC 1510MM 30W 3K OPAL 116° PRETO IP65
0202002.2010	LINE PC + GRAFITE 24VDC 2010MM 40W 3K OPAL 116° PRETO IP65
0202002.3010	LINE PC + GRAFITE 24VDC 3010MM 60W 3K OPAL 116° PRETO IP65
0202003.510	LINE PC + GRAFITE 24VDC 510MM 10W 4K OPAL 116° PRETO IP65
0202003.1010	LINE PC + GRAFITE 24VDC 1010MM 20W 4K OPAL 116° PRETO IP65
0202003.1510	LINE PC + GRAFITE 24VDC 1510MM 30W 4K OPAL 116° PRETO IP65
0202003.2010	LINE PC + GRAFITE 24VDC 2010MM 40W 4K OPAL 116° PRETO IP65
0202003.3010	LINE PC + GRAFITE 24VDC 3010MM 60W 4K OPAL 116° PRETO IP65

Product name: **LINE PC GRAFITE 4000K 20W 24VDC**

Item number:

Color temperature: **4144 K**

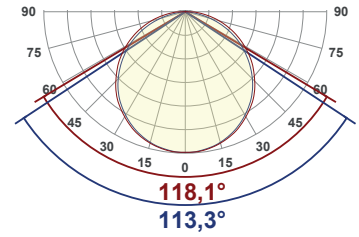
Date and time:

02/03/2020 18:54:07

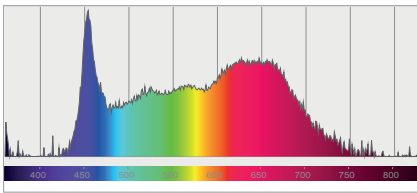
Output: **1010 Lumen / METRO**

Power: **20,0 W / METRO**

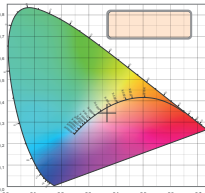
Light quality: **CRI: 89,1**



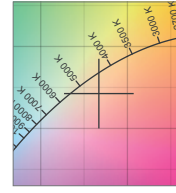
Spectral distribution



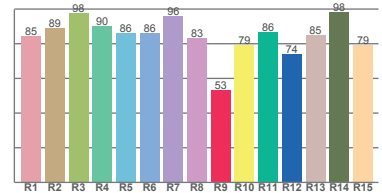
Color coordinates



White color point

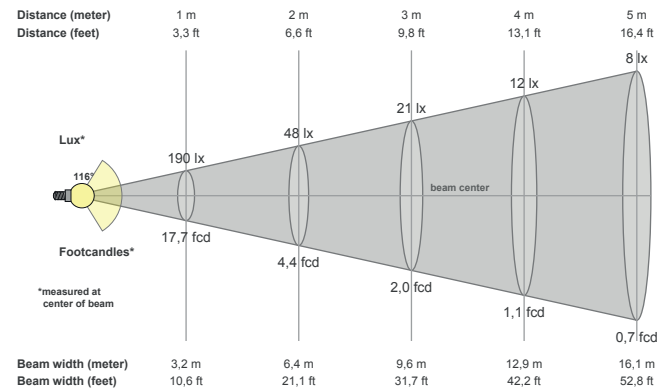


CRI R values



Color temperature	Color rendering index	Red component	Color fidelity	Color gamut	Color quality scale	Color coordinate cie 1931	Color coordinate cie 1931	Color coordinate	Color coordinate	Color deviation from black body
CCT	CRI	CRI R9	TM30 Rf	TM30 Rg	CQS	x	y	u	v	Δuv
4144 K	89,1	53,1	89,5	104,3	95,0	0,367	0,343	0,230	0,322	-0,0128

Beam details



Beam angles

Beam angle 50%	Field angle 10%	Cutoff angle 2,5%
116,3°	165,6°	185°

Beam intensities

Peak intensity	Int. ratio in 120° cone	Int. ratio in 90° cone
190 cd	74,7%	50,4%

Beam intensities from 1-20m

1m	2m	3m	4m	5m	6m	7m	8m	9m	10m	11m	12m	13m	14m	15m	16m	17m	18m	19m	20m
3,3ft	6,6ft	9,8ft	13,1ft	16,4ft	19,7ft	23ft	26,2ft	29,5ft	32,8ft	36,1ft	39,4ft	42,7ft	45,9ft	49,2ft	52,5ft	55,8ft	59,1ft	62,3ft	65,6ft
190lx	48lx	21lx	12lx	8lx	5lx	4lx	3lx	2lx	2lx	2lx	1lx	1lx	1lx	1lx	1lx	1lx	1lx	1lx	0lx
17,7fcd	4,4fcd	2fcd	1,1fcd	0,7fcd	0,5fcd	0,4fcd	0,3fcd	0,2fcd	0,2fcd	0,1fcd	0,1fcd	0,1fcd	0,1fcd	0,1fcd	0,1fcd	0,1fcd	0,1fcd	0fcd	0fcd

Power scope

Power	Power factor	Power frequency
18,0 W	0,95	{FREQ } Hz

Nominal power	Power factor	Power frequency
18,0 W	0,95	{FREQ } Hz

Nominal voltage	Voltage	Current
230 V	230 V	0,078 A