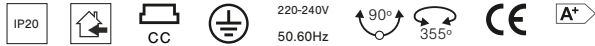
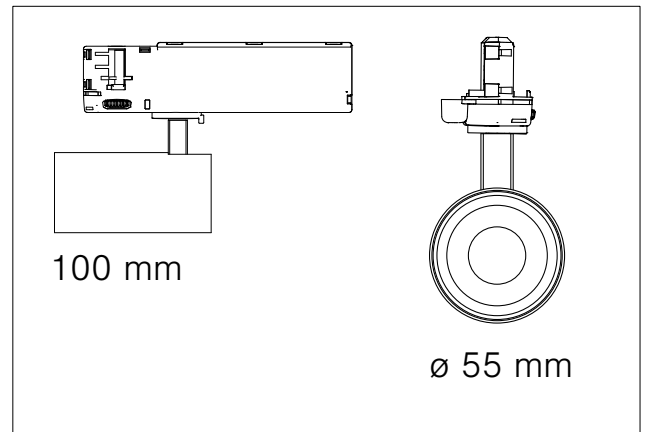


TUBE S 12,5W



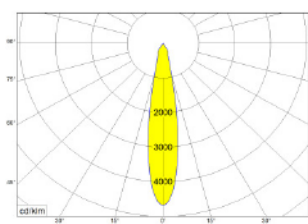
Technical data	
Installation	Track 230VAC
Luminaire type	Spot Projector
Housing Finish Color / RAL	Black / White
Dimensions	100 x 55
Environment	Interior
Controls	On / Off / Dali
Led	COB
Optics	Lens 15°_24°_36°
Optics technology	PC
Light emission direction	↻ 90° ↻ 355°
Nominal Power	10 W
Total Luminaire Power	12,5 W
Flux Total	1,540 lm
Efficacy	117 lm/W
LOR	90%
Voltage	230VDC
CCT	2.7K / 3K / 4K
Colour rendering index	90 Ra
C.C. / C.V.	CC: 350mA
Driver	External
Safety class	⊕
IP	IP65
Direct mounting on normally flammable surfaces	Yes
CE	Yes
Operating temperature	-20 / +50
Driver included	Yes
Typ. efficiency (full load)	> 91
Output LF current ripple	< 5
Overload protection / Short-circuit protection	Yes
Emergency mode	No
Cable included / length	Yes
Net weight	0.800 Kg

L80B10 (Tj=85°C) >60.000h

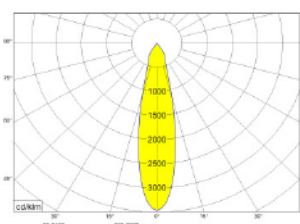


tender txt

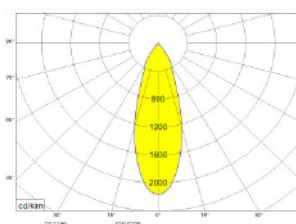
Projector Led para calha tri-fásica, corpo em alumínio injectado, pintura electroestatica poliester. Lentes em policarbonato, aberturas de 15°, 24° e 36°. Driver externo com adaptador para calha incorporado. Orientável 355° no eixo horizontal e 90° no eixo vertical. Disponível CCTs, 2700k, 3000K e 4000K. CRI > 90. Última geração de COBs, eficiência de 117 lm/W para tp = 65 °C.



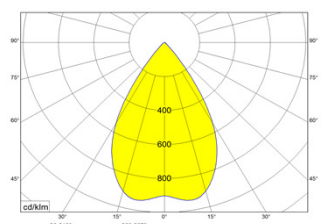
SPOT



MEDIUM



FLOOD

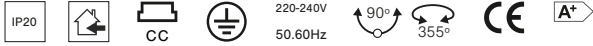


WIDE FLOOD

V2020_1

The stated luminous flux and rated electrical input power is subject to a tolerance of +/- 10%, the stated color temperature also has a tolerance of +/- 150 Kelvin. We reserve the right to make technical changes without prior notice.

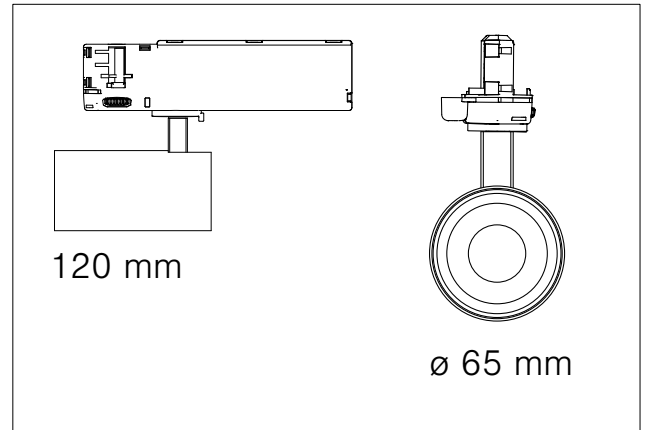
TUBE S 20W



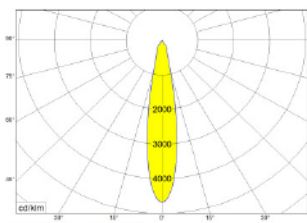
Technical data

Installation	Track 230VAC
Luminaire type	Spot Projector
Housing Finish Color / RAL	Black / White
Dimensions	120 x 65
Environment	Interior
Controls	On / Off / Dali
Led	COB
Optics	Lens 15°_24°_36°
Optics technology	PC
Light emission direction	↻ 90° ↻ 355°
Nominal Power	17 W
Total Luminaire Power	20 W
Flux Total	2200 lm
Efficience	117 lm/W
LOR	90%
Voltage	230VDC
CCT	2.7K / 3K / 4K
Colour rendering index	90 Ra
C.C. / C.V.	CC: 500mA
Driver	External
Safety class	⊕
IP	IP65
Direct mounting on normally flammable surfaces	Yes
CE	Yes
Operating temperature	-20 / +50
Driver included	Yes
Typ. efficiency (full load)	> 91
Output LF current ripple	< 5
Overload protection / Short-circuit protection	Yes
Emergency mode	No
Cable included / length	Yes
Net weight	0.9200 Kg

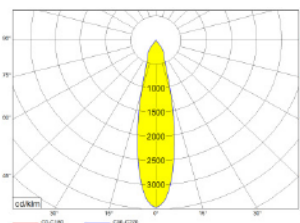
L80B10 (Tj=85°C) >60.000h



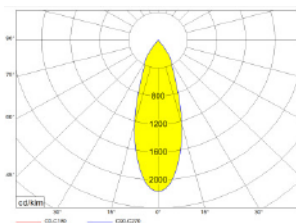
Projector Led para calha tri-fásica, corpo em alumínio injectado, pintura electroestatica poliester. Lentes em policarbonato, aberturas de 15°, 24° e 36°. Driver externo com adaptador para calha incorporado. Orientável 355° no eixo horizontal e 90° no eixo vertical. Disponível CCTs, 2700k, 3000K e 4000K. CRI > 90. Última geração de COBs, eficiência de 117 lm/W para $t_p = 65^\circ\text{C}$.



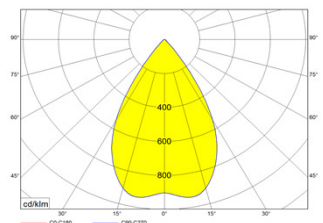
SPOT



MEDIUM



FLOOD

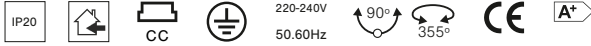


WIDE FLOOD

V2020_1

The stated luminous flux and rated electrical input power is subject to a tolerance of +/- 10%, the stated color temperature also has a tolerance of +/- 150 Kelvin. We reserve the right to make technical changes without prior notice.

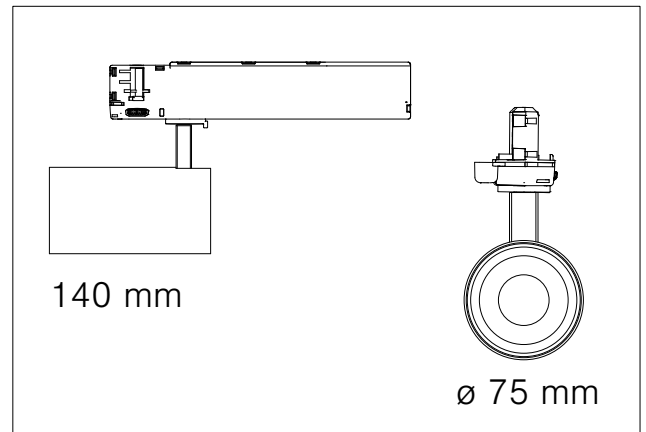
TUBE S 30W



Technical data

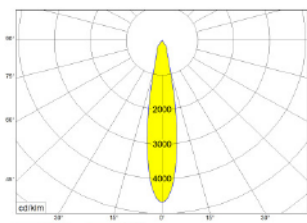
Installation	Track 230VAC
Luminaire type	Spot Projector
Housing Finish Color / RAL	Black / White
Dimensions	140 x 75
Environment	Interior
Controls	On / Off / Dali
Led	COB
Optics	Lens 15°_24°_36°
Optics technology	PC
Light emission direction	↻ 90° ↻ 355°
Nominal Power	27 W
Total Luminaire Power	30 W
Flux Total	3050 lm
Efficience	117 lm/W
LOR	90%
Voltage	230VDC
CCT	2.7K / 3K / 4K
Colour rendering index	90 Ra
C.C. / C.V.	CC: 700mA
Driver	External
Safety class	⊕
IP	IP65
Direct mounting on normally flammable surfaces	Yes
CE	Yes
Operating temperature	-20 / +50
Driver included	Yes
Typ. efficiency (full load)	> 91
Output LF current ripple	< 5
Overload protection / Short-circuit protection	Yes
Emergency mode	No
Cable included / length	Yes
Net weight	1,100 Kg

L80B10 (Tj=85°C) >60.000h

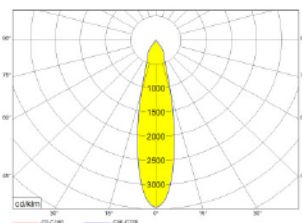


tender txt

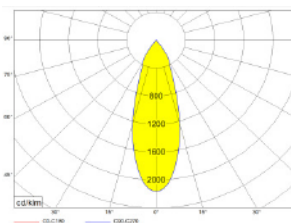
Projector Led para calha tri-fásica, corpo em alumínio injectado, pintura electrostatica poliester. Lentes em policarbonato, aberturas de 15°, 24° e 36°. Driver externo com adaptador para calha incorporado. Orientável 355° no eixo horizontal e 90° no eixo vertical. Disponíveis CCTs, 2700k, 3000K e 4000K. CRI > 90. Última geração de COBs, eficiência de 117 lm/W para tp = 65 °C.



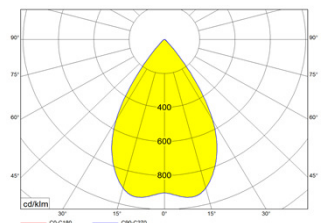
SPOT



MEDIUM



FLOOD



WIDE FLOOD

V2020_1

The stated luminous flux and rated electrical input power is subject to a tolerance of +/- 10%, the stated color temperature also has a tolerance of +/- 150 Kelvin. We reserve the right to make technical changes without prior notice.

PROJECTOR TUBE S PRETO ON OFF

075028.10	PROJECTOR TUBE S 12,5W 2700K 15° PRETO 230 VAC
075028.20	PROJECTOR TUBE S 20W 2700K 15° PRETO 230 VAC
075028.30	PROJECTOR TUBE S 30W 2700K 15° PRETO 230 VAC
075029.10	PROJECTOR TUBE S 12,5W 2700K 24° PRETO 230 VAC
075029.20	PROJECTOR TUBE S 20W 2700K 24° PRETO 230 VAC
075029.30	PROJECTOR TUBE S 30W 2700K 24° PRETO 230 VAC
075030.10	PROJECTOR TUBE S 12,5W 2700K 36° PRETO 230 VAC
075030.20	PROJECTOR TUBE S 20W 2700K 36° PRETO 230 VAC
075030.30	PROJECTOR TUBE S 30W 2700K 36° PRETO 230 VAC
075031.10	PROJECTOR TUBE S 12,5W 3000K 15° PRETO 230 VAC
075031.20	PROJECTOR TUBE S 20W 3000K 15° PRETO 230 VAC
075031.30	PROJECTOR TUBE S 30W 3000K 15° PRETO 230 VAC
075032.10	PROJECTOR TUBE S 12,5W 3000K 24° PRETO 230 VAC
075032.20	PROJECTOR TUBE S 20W 3000K 24° PRETO 230 VAC
075032.30	PROJECTOR TUBE S 30W 3000K 24° PRETO 230 VAC
075033.10	PROJECTOR TUBE S 12,5W 3000K 36° PRETO 230 VAC
075033.20	PROJECTOR TUBE S 20W 3000K 36° PRETO 230 VAC
075033.30	PROJECTOR TUBE S 30W 3000K 36° PRETO 230 VAC
075034.10	PROJECTOR TUBE S 12,5W 4000K 15° PRETO 230 VAC
075034.20	PROJECTOR TUBE S 20W 4000K 15° PRETO 230 VAC
075034.30	PROJECTOR TUBE S 30W 4000K 15° PRETO 230 VAC
075035.10	PROJECTOR TUBE S 12,5W 4000K 24° PRETO 230 VAC
075035.20	PROJECTOR TUBE S 20W 4000K 24° PRETO 230 VAC
075035.30	PROJECTOR TUBE S 30W 4000K 24° PRETO 230 VAC
075036.10	PROJECTOR TUBE S 12,5W 4000K 36° PRETO 230 VAC
075036.20	PROJECTOR TUBE S 20W 4000K 36° PRETO 230 VAC
075036.30	PROJECTOR TUBE S 30W 4000K 36° PRETO 230 VAC

PROJECTOR TUBE S PRETO DALI

075019D.10	PROJECTOR TUBE S 12,5W 2700K 15° PRETO 230 VAC DALI
075019D.20	PROJECTOR TUBE S 20W 2700K 15° PRETO 230 VAC DALI
075019D.30	PROJECTOR TUBE S 30W 2700K 15° PRETO 230 VAC DALI
075020D.10	PROJECTOR TUBE S 12,5W 2700K 24° PRETO 230 VAC DALI
075020D.20	PROJECTOR TUBE S 20W 2700K 24° PRETO 230 VAC DALI
075020D.30	PROJECTOR TUBE S 30W 2700K 24° PRETO 230 VAC DALI
075021D.10	PROJECTOR TUBE S 12,5W 2700K 36° PRETO 230 VAC DALI
075021D.20	PROJECTOR TUBE S 20W 2700K 36° PRETO 230 VAC DALI
075021D.30	PROJECTOR TUBE S 30W 2700K 36° PRETO 230 VAC DALI
075022D.10	PROJECTOR TUBE S 12,5W 3000K 15° PRETO 230 VAC DALI
075022D.20	PROJECTOR TUBE S 20W 3000K 15° PRETO 230 VAC DALI
075022D.30	PROJECTOR TUBE S 30W 3000K 15° PRETO 230 VAC DALI
075023D.10	PROJECTOR TUBE S 12,5W 3000K 24° PRETO 230 VAC DALI
075023D.20	PROJECTOR TUBE S 20W 3000K 24° PRETO 230 VAC DALI
075023D.30	PROJECTOR TUBE S 30W 3000K 24° PRETO 230 VAC DALI
075024D.10	PROJECTOR TUBE S 12,5W 3000K 36° PRETO 230 VAC DALI
075024D.20	PROJECTOR TUBE S 20W 3000K 36° PRETO 230 VAC DALI
075024D.30	PROJECTOR TUBE S 30W 3000K 36° PRETO 230 VAC DALI
075025D.10	PROJECTOR TUBE S 12,5W 4000K 15° PRETO 230 VAC DALI
075025D.20	PROJECTOR TUBE S 20W 4000K 15° PRETO 230 VAC DALI
075025D.30	PROJECTOR TUBE S 30W 4000K 15° PRETO 230 VAC DALI
075026D.10	PROJECTOR TUBE S 12,5W 4000K 24° PRETO 230 VAC DALI
075026D.20	PROJECTOR TUBE S 20W 4000K 24° PRETO 230 VAC DALI
075026D.30	PROJECTOR TUBE S 30W 4000K 24° PRETO 230 VAC DALI
075027D.10	PROJECTOR TUBE S 12,5W 4000K 36° PRETO 230 VAC DALI
075027D.20	PROJECTOR TUBE S 20W 4000K 36° PRETO 230 VAC DALI
075027D.30	PROJECTOR TUBE S 30W 4000K 36° PRETO 230 VAC DALI

PROJECTOR TUBE S BRANCO ON OFF

075010.10	PROJECTOR TUBE S 12,5W 2700K 15º BRANCO 230 VAC
075010.20	PROJECTOR TUBE S 20W 2700K 15º BRANCO 230 VAC
075010.30	PROJECTOR TUBE S 30W 2700K 15º BRANCO 230 VAC
075011.10	PROJECTOR TUBE S 12,5W 2700K 24º BRANCO 230 VAC
075011.20	PROJECTOR TUBE S 20W 2700K 24º BRANCO 230 VAC
075011.30	PROJECTOR TUBE S 30W 2700K 24º BRANCO 230 VAC
075012.10	PROJECTOR TUBE S 12,5W 2700K 36º BRANCO 230 VAC
075012.20	PROJECTOR TUBE S 20W 2700K 36º BRANCO 230 VAC
075012.30	PROJECTOR TUBE S 30W 2700K 36º BRANCO 230 VAC
075013.10	PROJECTOR TUBE S 12,5W 3000K 15º BRANCO 230 VAC
075013.20	PROJECTOR TUBE S 20W 3000K 15º BRANCO 230 VAC
075013.30	PROJECTOR TUBE S 30W 3000K 15º BRANCO 230 VAC
075014.10	PROJECTOR TUBE S 12,5W 3000K 24º BRANCO 230 VAC
075014.20	PROJECTOR TUBE S 20W 3000K 24º BRANCO 230 VAC
075014.30	PROJECTOR TUBE S 30W 3000K 24º BRANCO 230 VAC
075015.10	PROJECTOR TUBE S 12,5W 3000K 36º BRANCO 230 VAC
075015.20	PROJECTOR TUBE S 20W 3000K 36º BRANCO 230 VAC
075015.30	PROJECTOR TUBE S 30W 3000K 36º BRANCO 230 VAC
075016.10	PROJECTOR TUBE S 12,5W 4000K 15º BRANCO 230 VAC
075016.20	PROJECTOR TUBE S 20W 4000K 15º BRANCO 230 VAC
075016.30	PROJECTOR TUBE S 30W 4000K 15º BRANCO 230 VAC
075017.10	PROJECTOR TUBE S 12,5W 4000K 24º BRANCO 230 VAC
075017.20	PROJECTOR TUBE S 20W 4000K 24º BRANCO 230 VAC
075017.30	PROJECTOR TUBE S 30W 4000K 24º BRANCO 230 VAC
075018.10	PROJECTOR TUBE S 12,5W 4000K 36º BRANCO 230 VAC
075018.20	PROJECTOR TUBE S 20W 4000K 36º BRANCO 230 VAC
075018.30	PROJECTOR TUBE S 30W 4000K 36º BRANCO 230 VAC

PROJECTOR TUBE S BRANCO DALI

075001D.10	PROJECTOR TUBE S 12,5W 2700K 15° BRANCO 230 VAC DALI
075001D.20	PROJECTOR TUBE S 20W 2700K 15° BRANCO 230 VAC DALI
075001D.30	PROJECTOR TUBE S 30W 2700K 15° BRANCO 230 VAC DALI
075002D.10	PROJECTOR TUBE S 12,5W 2700K 24° BRANCO 230 VAC DALI
075002D.20	PROJECTOR TUBE S 20W 2700K 24° BRANCO 230 VAC DALI
075002D.30	PROJECTOR TUBE S 30W 2700K 24° BRANCO 230 VAC DALI
075003D.10	PROJECTOR TUBE S 12,5W 2700K 36° BRANCO 230 VAC DALI
075003D.20	PROJECTOR TUBE S 20W 2700K 36° BRANCO 230 VAC DALI
075003D.30	PROJECTOR TUBE S 30W 2700K 36° BRANCO 230 VAC DALI
075004D.10	PROJECTOR TUBE S 12,5W 3000K 15° BRANCO 230 VAC DALI
075004D.20	PROJECTOR TUBE S 20W 3000K 15° BRANCO 230 VAC DALI
075004D.30	PROJECTOR TUBE S 30W 3000K 15° BRANCO 230 VAC DALI
075005D.10	PROJECTOR TUBE S 12,5W 3000K 24° BRANCO 230 VAC DALI
075005D.20	PROJECTOR TUBE S 20W 3000K 24° BRANCO 230 VAC DALI
075005D.30	PROJECTOR TUBE S 30W 3000K 24° BRANCO 230 VAC DALI
075006D.10	PROJECTOR TUBE S 12,5W 3000K 36° BRANCO 230 VAC DALI
075006D.20	PROJECTOR TUBE S 20W 3000K 36° BRANCO 230 VAC DALI
075006D.30	PROJECTOR TUBE S 30W 3000K 36° BRANCO 230 VAC DALI
075007D.10	PROJECTOR TUBE S 12,5W 4000K 15° BRANCO 230 VAC DALI
075007D.20	PROJECTOR TUBE S 20W 4000K 15° BRANCO 230 VAC DALI
075007D.30	PROJECTOR TUBE S 30W 4000K 15° BRANCO 230 VAC DALI
075008D.10	PROJECTOR TUBE S 12,5W 4000K 24° BRANCO 230 VAC DALI
075008D.20	PROJECTOR TUBE S 20W 4000K 24° BRANCO 230 VAC DALI
075008D.30	PROJECTOR TUBE S 30W 4000K 24° BRANCO 230 VAC DALI
075009D.10	PROJECTOR TUBE S 12,5W 4000K 36° BRANCO 230 VAC DALI
075009D.20	PROJECTOR TUBE S 20W 4000K 36° BRANCO 230 VAC DALI
075009D.30	PROJECTOR TUBE S 30W 4000K 36° BRANCO 230 VAC DALI