

## Module DLA G2 system

### Product description

- LED replacement for downlight with compact fluorescent lamps
- Complete ready2apply solution comprising module, driver, reflector and trim ring
- Tool-free assembly, simple as push and rotate
- Spring clip pre-assembled
- Ripple current 5% and UGR19
- Fit for ceiling cutout 100, 150 and 200 mm
- Typ. luminous flux category: 1,000 / 2,000 / 3,000 lm
- Approved emergency solution with EM converterLED
- High system efficacy up to 111 lm/W
- Optional reflector solution with 60° and 90°
- Small colour tolerance MacAdam 4
- Nominal life-time 50,000 h (L70/B50)
- 5-year guarantee



sistema composto por:

### **3 Downlights**

**Diâmetro corte: 100 mm, 150 mm e 200 mm**

**Fluxo luminoso: 1,000 / 2,000 / 3,000 lm**

**Difusor opalino, reflector 60 e 90°**

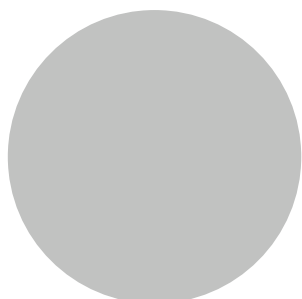
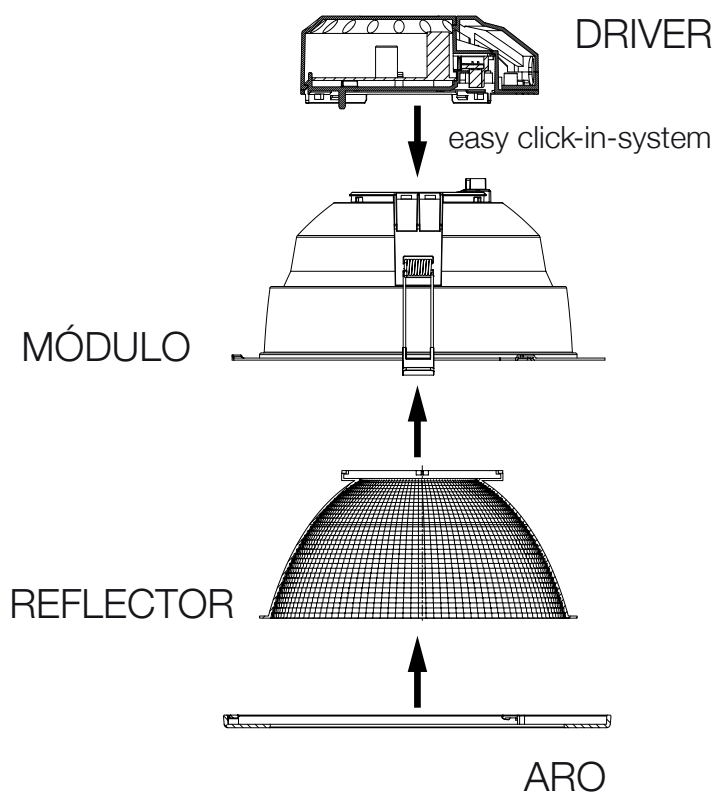
**Ripple current 5% / UGR < 19**

**Eficiência até 111 Lm/w**

**5 anos garantia**

# »» NEXT LIGHT®

---



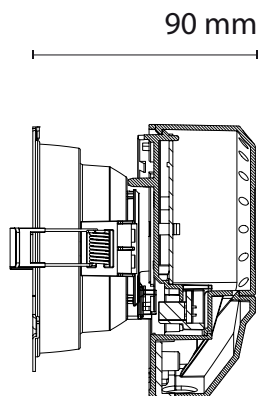
**Makrofol®**  
DIFUSOR OPALINO



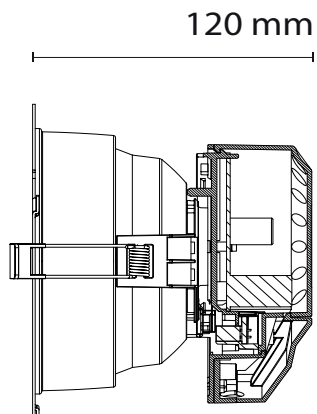
ACD REFLECTOR 60D



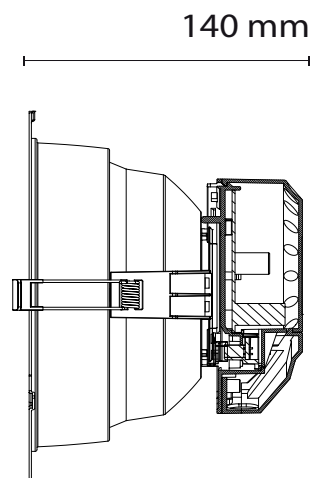
ACD REFLECTOR 90D



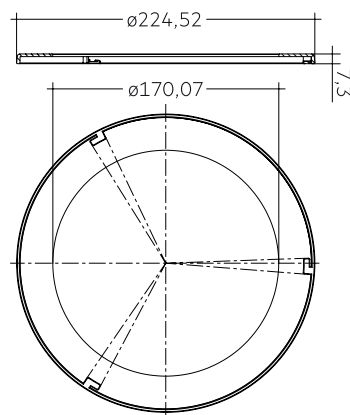
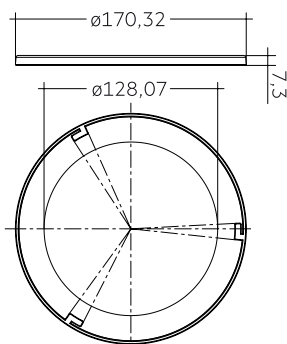
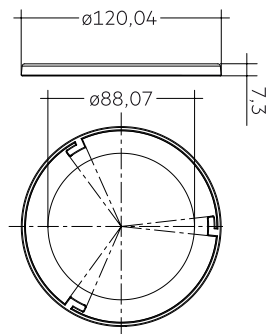
**DLA G2 100mm SNC**



**DLA G2 150mm SNC**



**DLA G2 200mm SNC**



**Diâmetro corte: 100, 150 e 200 mm**

Fit for ceiling cutout 100, 150 and 200 mm

**CÓDIGO****3000K DIFUSOR OPALINO**

0804007.100	DLA G2 100 10W 3000K OPAL 1000LM ON/OFF IP20 230 VAC
0804007.150	DLA G2 150 10W 3000K OPAL 1000LM ON/OFF IP20 230 VAC
0804007.150.2	DLA G2 150.2 20W 3000K OPAL 2000LM ON/OFF IP20 230 VAC
0804007.200	DLA G2 200 20W 3000K OPAL 2000LM ON/OFF IP20 230 VAC
0804007.200.3	DLA G2 200.3 30W 3000K OPAL 3000LM ON/OFF IP20 230 VAC

**3000K REFLECTOR 60°**

0804008.100	DLA G2 100 10W 3000K 60° 1000LM ON/OFF IP20 230 VAC
0804008.150	DLA G2 150 10W 3000K 60° 1000LM ON/OFF IP20 230 VAC
0804008.150.2	DLA G2 150.2 20W 3000K 60° 2000LM ON/OFF IP20 230 VAC
0804008.200	DLA G2 200 20W 3000K 60° 2000LM ON/OFF IP20 230 VAC
0804008.200.3	DLA G2 200.3 30W 3000K 60° 3000LM ON/OFF IP20 230 VAC

**3000K REFLECTOR 90°**

0804009.100	DLA G2 100 10W 3000K 90° 1000LM ON/OFF IP20 230 VAC
0804009.150	DLA G2 150 10W 3000K 90° 1000LM ON/OFF IP20 230 VAC
0804009.150.2	DLA G2 150.2 20W 3000K 90° 2000LM ON/OFF IP20 230 VAC
0804009.200	DLA G2 200 20W 3000K 90° 2000LM ON/OFF IP20 230 VAC
0804009.200.3	DLA G2 200.3 30W 3000K 90° 3000LM ON/OFF IP20 230 VAC

**4000K DIFUSOR OPALINO**

0804010.100	DLA G2 100 10W 4000K OPAL 1000LM ON/OFF IP20 230 VAC
0804010.150	DLA G2 150 10W 4000K OPAL 1000LM ON/OFF IP20 230 VAC
0804010.150.2	DLA G2 150.2 20W 4000K OPAL 2000LM ON/OFF IP20 230 VAC
0804010.200	DLA G2 200 20W 4000K OPAL 2000LM ON/OFF IP20 230 VAC
0804010.200.3	DLA G2 200.3 30W 4000K OPAL 3000LM ON/OFF IP20 230 VAC

**4000K REFLECTOR 60°**

0804011.100	DLA G2 100 10W 4000K 60° 1000LM ON/OFF IP20 230 VAC
0804011.150	DLA G2 150 10W 4000K 60° 1000LM ON/OFF IP20 230 VAC
0804011.150.2	DLA G2 150.2 20W 4000K 60° 2000LM ON/OFF IP20 230 VAC
0804011.200	DLA G2 200 20W 4000K 60° 2000LM ON/OFF IP20 230 VAC
0804011.200.3	DLA G2 200.3 30W 4000K 60° 3000LM ON/OFF IP20 230 VAC

**4000K REFLECTOR 90°**

0804012.100	DLA G2 100 10W 4000K 90° 1000LM ON/OFF IP20 230 VAC
0804012.150	DLA G2 150 10W 4000K 90° 1000LM ON/OFF IP20 230 VAC
0804012.150.2	DLA G2 150.2 20W 4000K 90° 2000LM ON/OFF IP20 230 VAC
0804012.200	DLA G2 200 20W 4000K 90° 2000LM ON/OFF IP20 230 VAC
0804012.200.3	DLA G2 200.3 30W 4000K 90° 3000LM ON/OFF IP20 230 VAC