

# FLAT PROJ

PROJECTOR TECTO  
ANTI-GLARE  
MONO : DUPLO : TRIPLO

**SLA DC : 840 Lm / 1170 Lm PER MODULE**

Beam Angle: spot degree 12°, medium (24°) or flood (36°)

Colour temperatures 2,700 K, 3,000 K, 4,000 K

High colour consistency (MacAdam 3)

Long life-time: L70B50 >50,000 h

5-year guarantee

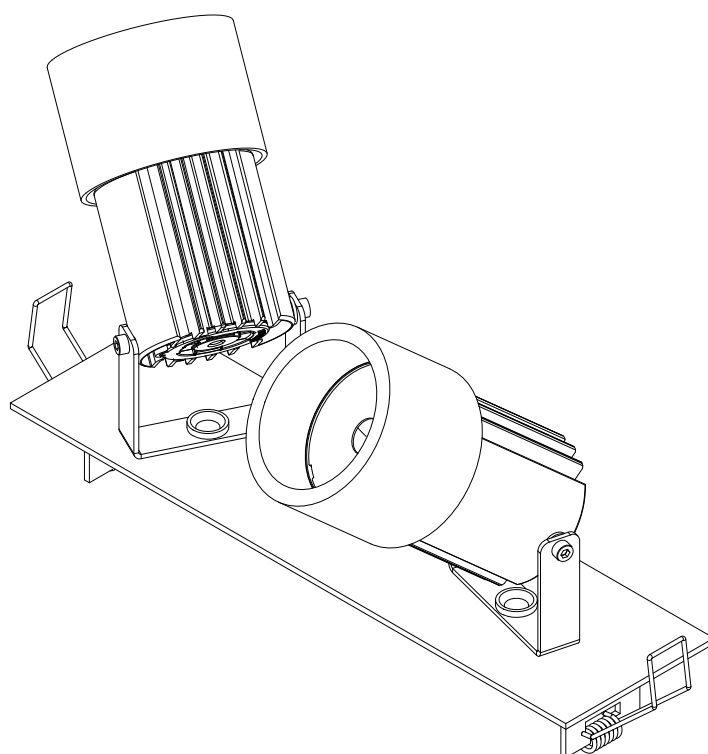
**RAL 9005 ELECTROSTATIC PAINT**

## DIMENSIONS

MONO: 70 x 70 mm

DUBLE: 60 x 200 mm

TRIPLE: 60 X 280 mm

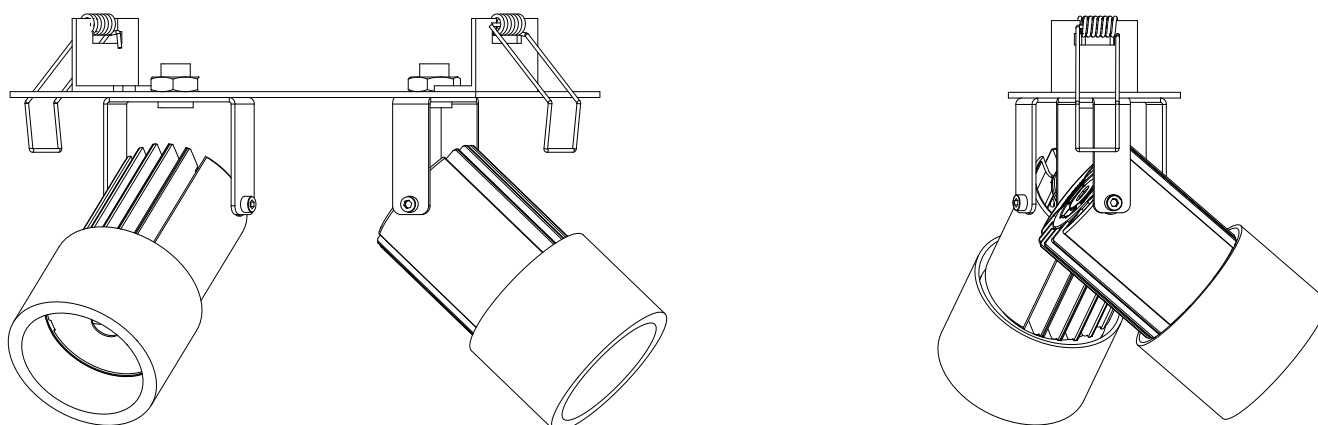


## CUT CELLING DIMENSIONS

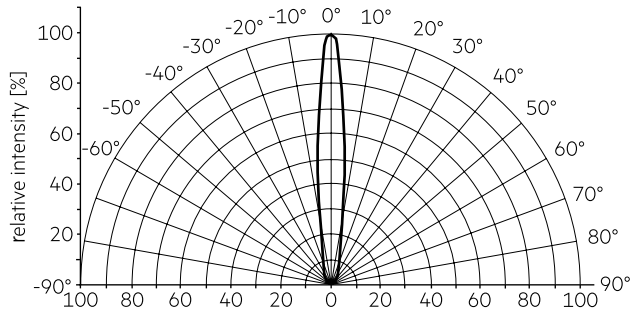
MONO: 60 x 60 mm

DUBLE: 50 x 180 mm

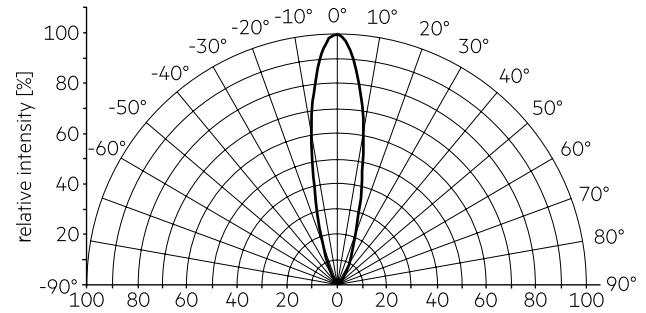
TRIPLE: 50 x 260 mm



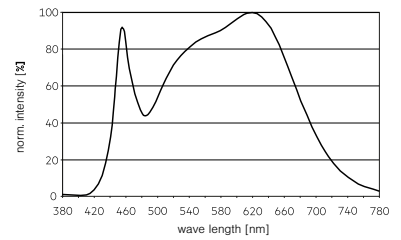
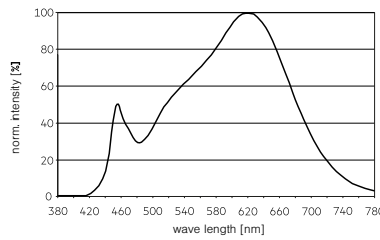
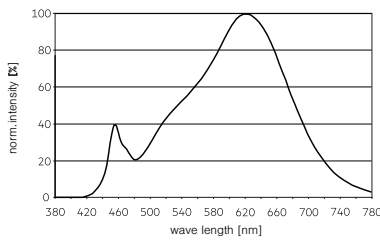
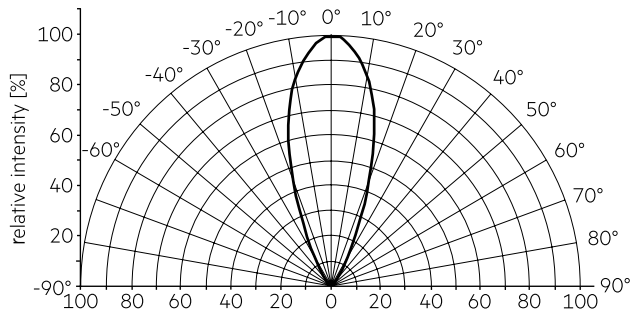
Light distribution for 12D



Light distribution for 24D



Light distribution for 36D



Specific technical data

Type	Photo-metric code	Forward current	Luminous flux at tp rated	Typ. intensity at tp rated	Beam characteristics	Power consumption at tp rated	Min. forward voltage at tc <sup>1</sup>	Max. forward voltage at ta = -20 °C	Efficacy at tp rated	Colour rendering index CRI
SLA DC G2 50mm 700lm 927 24D SNC	927/359	250 mA	770 lm	2,920 cd	24°	8.8 W	30.0 V	40.0 V	88 lm/W	> 90
SLA DC G2 50mm 700lm 927 36D SNC	927/359	250 mA	770 lm	1,540 cd	36°	8.8 W	30.0 V	40.0 V	88 lm/W	> 90
SLA DC G2 50mm 700lm 930 24D SNC	930/359	250 mA	840 lm	3,190 cd	24°	8.8 W	30.0 V	40.0 V	95 lm/W	> 90
SLA DC G2 50mm 700lm 930 36D SNC	930/359	250 mA	840 lm	1,680 cd	36°	8.8 W	30.0 V	40.0 V	95 lm/W	> 90
SLA DC G2 50mm 700lm 940 24D SNC	940/359	250 mA	890 lm	3,380 cd	24°	8.8 W	30.0 V	40.0 V	101 lm/W	> 90
SLA DC G2 50mm 700lm 940 36D SNC	940/359	250 mA	890 lm	1,780 cd	36°	8.8 W	30.0 V	40.0 V	101 lm/W	> 90
SLA DC G2 50mm 1200lm 927 12D SNC	927/349	350 mA	930 lm	6,120 cd	12°	12.2 W	32.4 V	37.6 V	85 lm/W	> 90
SLA DC G2 50mm 1200lm 927 24D SNC	927/349	350 mA	1,140 lm	4,300 cd	24°	12.2 W	32.4 V	37.6 V	93 lm/W	> 90
SLA DC G2 50mm 1200lm 927 36D SNC	927/349	350 mA	1,140 lm	2,200 cd	36°	12.2 W	32.4 V	37.6 V	93 lm/W	> 90
SLA DC G2 50mm 1200lm 930 12D SNC	930/349	350 mA	1,040 lm	6,540 cd	12°	12.2 W	32.4 V	37.6 V	90 lm/W	> 90
SLA DC G2 50mm 1200lm 930 24D SNC	930/349	350 mA	1,170 lm	4,400 cd	24°	12.2 W	32.4 V	37.6 V	96 lm/W	> 90
SLA DC G2 50mm 1200lm 930 36D SNC	930/349	350 mA	1,170 lm	2,300 cd	36°	12.2 W	32.4 V	37.6 V	96 lm/W	> 90
SLA DC G2 50mm 1200lm 940 12D SNC	940/349	350 mA	1,130 lm	7,130 cd	12°	12.2 W	32.4 V	37.6 V	95 lm/W	> 90
SLA DC G2 50mm 1200lm 940 24D SNC	940/349	350 mA	1,270 lm	4,800 cd	24°	12.2 W	32.4 V	37.6 V	104 lm/W	> 90
SLA DC G2 50mm 1200lm 940 36D SNC	940/349	350 mA	1,270 lm	2,500 cd	36°	12.2 W	32.4 V	37.6 V	104 lm/W	> 90

<sup>1</sup> Tolerance range for optical and electrical data: ±10 %.

# »» NEXT LIGHT®

Variable dimming and non-dimming LED Drivers



Driver LC 15W 350mA fixC C SNC



Driver LC 45W 500-1400mA bDW SC PRE2



4remote BT App



<b>FLAT PROJ 2700K ON/OFF</b>	
FLAT PROJ 1 12,5W 2700K 12° 1170LM BLACK RAL 9005 IP20 230 VAC	0808010.1
FLAT PROJ 2 25W 2700K 12° 2340LM BLACK RAL 9005 IP20 230 VAC	0808010.2
FLAT PROJ 3 37,5W 2700K 12° 3510LM BLACK RAL 9005 IP20 230 VAC	0808010.3
FLAT PROJ 1 12,5W 2700K 24° 1170LM BLACK RAL 9005 IP20 230 VAC	0808011.1
FLAT PROJ 2 25W 2700K 24° 2340LM BLACK RAL 9005 IP20 230 VAC	0808011.2
FLAT PROJ 3 37,5W 2700K 24° 3510LM BLACK RAL 9005 IP20 230 VAC	0808011.3
FLAT PROJ 1 12,5W 2700K 36° 1170LM BLACK RAL 9005 IP20 230 VAC	0808012.1
FLAT PROJ 2 25W 2700K 36° 2340LM BLACK RAL 9005 IP20 230 VAC	0808012.2
FLAT PROJ 3 37,5W 2700K 36° 3510LM BLACK RAL 9005 IP20 230 VAC	0808012.3

<b>FLAT PROJ 3000K ON/OFF</b>	
FLAT PROJ 1 12,5W 3000K 12° 1170LM BLACK RAL 9005 IP20 230 VAC	0808013.1
FLAT PROJ 2 25W 3000K 12° 2340LM BLACK RAL 9005 IP20 230 VAC	0808013.2
FLAT PROJ 3 37,5W 3000K 12° 3510LM BLACK RAL 9005 IP20 230 VAC	0808013.3
FLAT PROJ 1 12,5W 3000K 24° 1170LM BLACK RAL 9005 IP20 230 VAC	0808014.1
FLAT PROJ 2 25W 3000K 24° 2340LM BLACK RAL 9005 IP20 230 VAC	0808014.2
FLAT PROJ 3 37,5W 3000K 24° 3510LM BLACK RAL 9005 IP20 230 VAC	0808014.3
FLAT PROJ 1 12,5W 3000K 36° 1170LM BLACK RAL 9005 IP20 230 VAC	0808015.1
FLAT PROJ 2 25W 3000K 36° 2340LM BLACK RAL 9005 IP20 230 VAC	0808015.2
FLAT PROJ 3 37,5W 3000K 36° 3510LM BLACK RAL 9005 IP20 230 VAC	0808015.3

<b>FLAT PROJ 4000K ON/OFF</b>	
FLAT PROJ 1 12,5W 4000K 12° 1170LM BLACK RAL 9005 IP20 230 VAC	0808016.1
FLAT PROJ 2 25W 4000K 12° 2340LM BLACK RAL 9005 IP20 230 VAC	0808016.2
FLAT PROJ 3 37,5W 4000K 12° 3510LM BLACK RAL 9005 IP20 230 VAC	0808016.3
FLAT PROJ 1 12,5W 4000K 24° 1170LM BLACK RAL 9005 IP20 230 VAC	0808017.1
FLAT PROJ 2 25W 4000K 24° 2340LM BLACK RAL 9005 IP20 230 VAC	0808017.2
FLAT PROJ 3 37,5W 4000K 24° 3510LM BLACK RAL 9005 IP20 230 VAC	0808017.3
FLAT PROJ 1 12,5W 4000K 36° 1170LM BLACK RAL 9005 IP20 230 VAC	0808018.1
FLAT PROJ 2 25W 4000K 36° 2340LM BLACK RAL 9005 IP20 230 VAC	0808018.2
FLAT PROJ 3 37,5W 4000K 36° 3510LM BLACK RAL 9005 IP20 230 VAC	0808018.3

<b>FLAT PROJ 2700K DALI</b>	
FLAT PROJ 1 12,5W 2700K 12° 1170LM BLACK RAL 9005 IP20 230 VAC DALI	0808001D.1
FLAT PROJ 2 25W 2700K 12° 2340LM BLACK RAL 9005 IP20 230 VAC DALI	0808001D.2
FLAT PROJ 3 37,5W 2700K 12° 3510LM BLACK RAL 9005 IP20 230 VAC DALI	0808001D.3
FLAT PROJ 1 12,5W 2700K 24° 1170LM BLACK RAL 9005 IP20 230 VAC DALI	0808002D.1
FLAT PROJ 2 25W 2700K 24° 2340LM BLACK RAL 9005 IP20 230 VAC DALI	0808002D.2
FLAT PROJ 3 37,5W 2700K 24° 3510LM BLACK RAL 9005 IP20 230 VAC DALI	0808002D.3
FLAT PROJ 1 12,5W 2700K 36° 1170LM BLACK RAL 9005 IP20 230 VAC DALI	0808003D.1
FLAT PROJ 2 25W 2700K 36° 2340LM BLACK RAL 9005 IP20 230 VAC DALI	0808003D.2
FLAT PROJ 3 37,5W 2700K 36° 3510LM BLACK RAL 9005 IP20 230 VAC DALI	0808003D.3

<b>FLAT PROJ 3000K DALI</b>	
FLAT PROJ 1 12,5W 3000K 12° 1170LM BLACK RAL 9005 IP20 230 VAC DALI	0808004D.1
FLAT PROJ 2 25W 3000K 12° 2340LM BLACK RAL 9005 IP20 230 VAC DALI	0808004D.2
FLAT PROJ 3 37,5W 3000K 12° 3510LM BLACK RAL 9005 IP20 230 VAC DALI	0808004D.3
FLAT PROJ 1 12,5W 3000K 24° 1170LM BLACK RAL 9005 IP20 230 VAC DALI	0808005D.1
FLAT PROJ 2 25W 3000K 24° 2340LM BLACK RAL 9005 IP20 230 VAC DALI	0808005D.2
FLAT PROJ 3 37,5W 3000K 24° 3510LM BLACK RAL 9005 IP20 230 VAC DALI	0808005D.3
FLAT PROJ 1 12,5W 3000K 36° 1170LM BLACK RAL 9005 IP20 230 VAC DALI	0808006D.1
FLAT PROJ 2 25W 3000K 36° 2340LM BLACK RAL 9005 IP20 230 VAC DALI	0808006D.2
FLAT PROJ 3 37,5W 3000K 36° 3510LM BLACK RAL 9005 IP20 230 VAC DALI	0808006D.3

<b>FLAT PROJ 4000K DALI</b>	
FLAT PROJ 1 12,5W 4000K 12° 1170LM BLACK RAL 9005 IP20 230 VAC DALI	0808007D.1
FLAT PROJ 2 25W 4000K 12° 2340LM BLACK RAL 9005 IP20 230 VAC DALI	0808007D.2
FLAT PROJ 3 37,5W 4000K 12° 3510LM BLACK RAL 9005 IP20 230 VAC DALI	0808007D.3
FLAT PROJ 1 12,5W 4000K 24° 1170LM BLACK RAL 9005 IP20 230 VAC DALI	0808008D.1
FLAT PROJ 2 25W 4000K 24° 2340LM BLACK RAL 9005 IP20 230 VAC DALI	0808008D.2
FLAT PROJ 3 37,5W 4000K 24° 3510LM BLACK RAL 9005 IP20 230 VAC DALI	0808008D.3
FLAT PROJ 1 12,5W 4000K 36° 1170LM BLACK RAL 9005 IP20 230 VAC DALI	0808009D.1
FLAT PROJ 2 25W 4000K 36° 2340LM BLACK RAL 9005 IP20 230 VAC DALI	0808009D.2
FLAT PROJ 3 37,5W 4000K 36° 3510LM BLACK RAL 9005 IP20 230 VAC DALI	0808009D.3