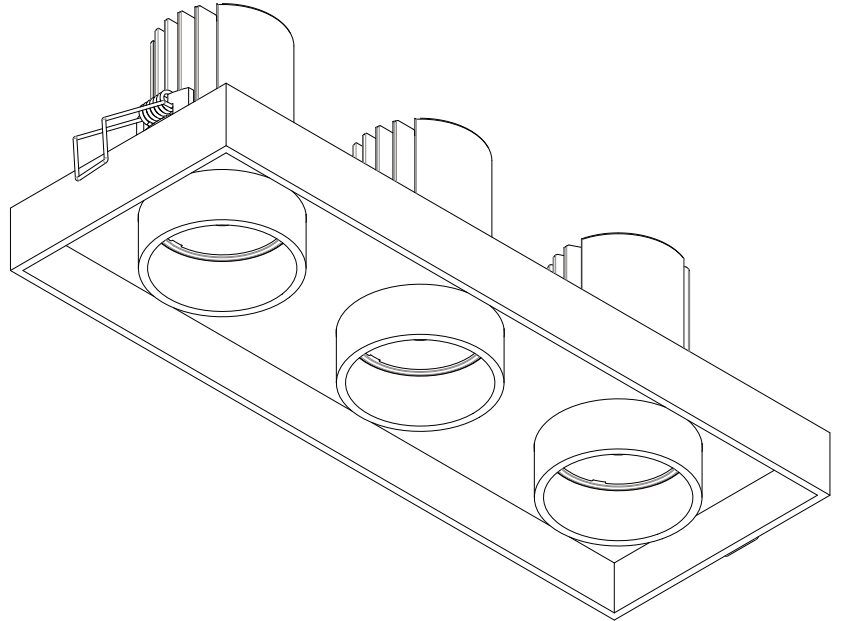


FRAME



PROJECTOR TECTO
ANTI-GLARE
MONO : DUPLO : TRIPLO

SLA DC : 840 Lm / 1170 Lm PER MODULE

Beam Angle: spot degree 12°, medium (24°) or flood (36°)

Colour temperatures 2,700 K, 3,000 K, 4,000 K

High colour consistency (MacAdam 3)

Long life-time: L70B50 >50,000 h

5-year guarantee

RAL 9005 ELECTROSTATIC PAINT



RAL XXXX

CUSTOMIZED COLOR AVAILABLE

DIMENTIONS

MONO: 100 x 100 mm

DUBLE: 100 x 200 mm

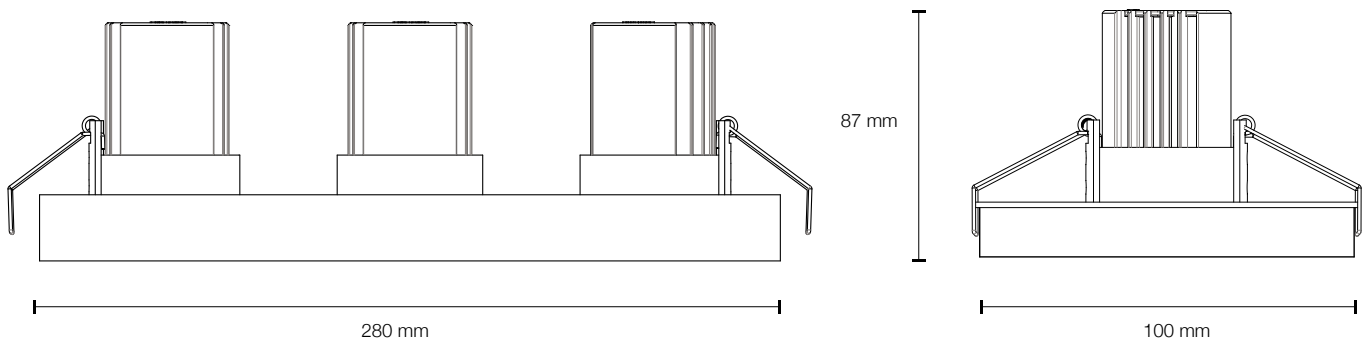
TRIPLE: 100 X 280 mm

CUT CELLING DIMENTIONS

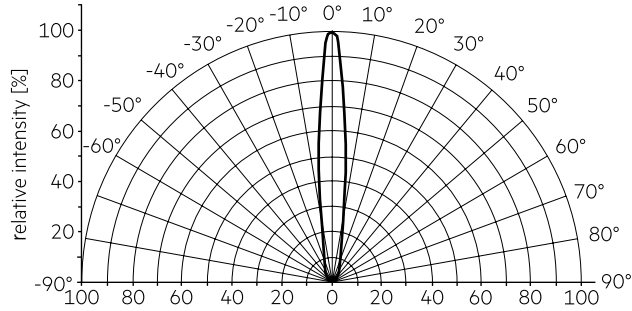
MONO: 80 x 80 mm

DUBLE: 80 x 180 mm

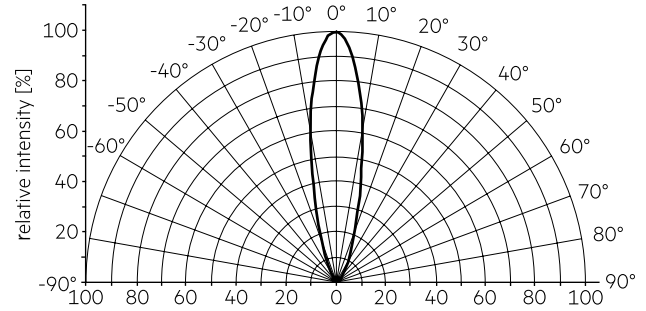
TRIPLE: 80 x 260 mm



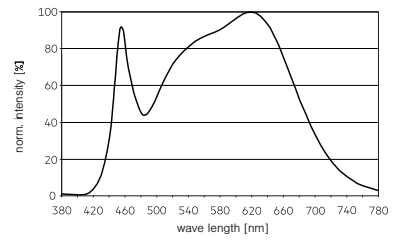
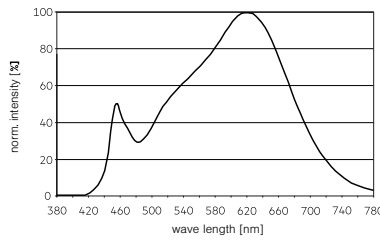
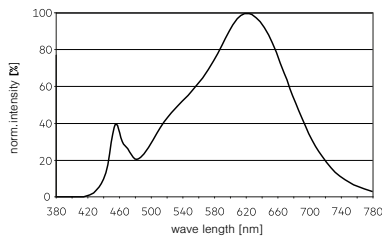
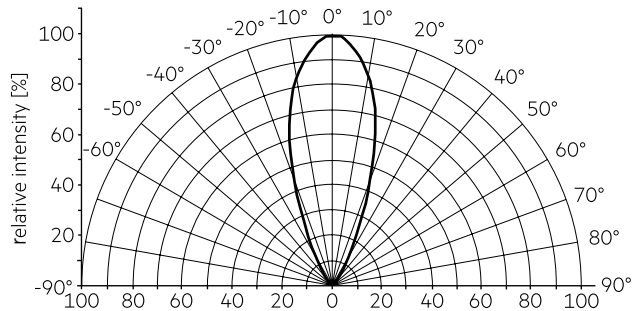
Light distribution for 12D



Light distribution for 24D



Light distribution for 36D



Specific technical data

Type	Photo-metric code	Forward current	Luminous flux at tp rated ¹	Typ. intensity at tp rated	Beam characteristics	Power consumption at tp rated	Min. forward voltage at tc ¹	Max. forward voltage at ta = -20 °C	Efficacy at tp rated	Colour rendering index CRI
SLA DC G2 50mm 700lm 927 24D SNC	927/359	250 mA	770 lm	2,920 cd	24°	8.8 W	30.0 V	40.0 V	88 lm/W	> 90
SLA DC G2 50mm 700lm 927 36D SNC	927/359	250 mA	770 lm	1,540 cd	36°	8.8 W	30.0 V	40.0 V	88 lm/W	> 90
SLA DC G2 50mm 700lm 930 24D SNC	930/359	250 mA	840 lm	3,190 cd	24°	8.8 W	30.0 V	40.0 V	95 lm/W	> 90
SLA DC G2 50mm 700lm 930 36D SNC	930/359	250 mA	840 lm	1,680 cd	36°	8.8 W	30.0 V	40.0 V	95 lm/W	> 90
SLA DC G2 50mm 700lm 940 24D SNC	940/359	250 mA	890 lm	3,380 cd	24°	8.8 W	30.0 V	40.0 V	101 lm/W	> 90
SLA DC G2 50mm 700lm 940 36D SNC	940/359	250 mA	890 lm	1,780 cd	36°	8.8 W	30.0 V	40.0 V	101 lm/W	> 90
SLA DC G2 50mm 1200lm 927 12D SNC	927/349	350 mA	930 lm	6,120 cd	12°	12.2 W	32.4 V	37.6 V	85 lm/W	> 90
SLA DC G2 50mm 1200lm 927 24D SNC	927/349	350 mA	1,140 lm	4,300 cd	24°	12.2 W	32.4 V	37.6 V	93 lm/W	> 90
SLA DC G2 50mm 1200lm 927 36D SNC	927/349	350 mA	1,140 lm	2,200 cd	36°	12.2 W	32.4 V	37.6 V	93 lm/W	> 90
SLA DC G2 50mm 1200lm 930 12D SNC	930/349	350 mA	1,040 lm	6,540 cd	12°	12.2 W	32.4 V	37.6 V	90 lm/W	> 90
SLA DC G2 50mm 1200lm 930 24D SNC	930/349	350 mA	1,170 lm	4,400 cd	24°	12.2 W	32.4 V	37.6 V	96 lm/W	> 90
SLA DC G2 50mm 1200lm 930 36D SNC	930/349	350 mA	1,170 lm	2,300 cd	36°	12.2 W	32.4 V	37.6 V	96 lm/W	> 90
SLA DC G2 50mm 1200lm 940 12D SNC	940/349	350 mA	1,130 lm	7,130 cd	12°	12.2 W	32.4 V	37.6 V	95 lm/W	> 90
SLA DC G2 50mm 1200lm 940 24D SNC	940/349	350 mA	1,270 lm	4,800 cd	24°	12.2 W	32.4 V	37.6 V	104 lm/W	> 90
SLA DC G2 50mm 1200lm 940 36D SNC	940/349	350 mA	1,270 lm	2,500 cd	36°	12.2 W	32.4 V	37.6 V	104 lm/W	> 90

¹ Tolerance range for optical and electrical data: ±10 %.

»» NEXT LIGHT®

Variable dimming and non-dimming LED Drivers



Driver LC 15W 350mA fixC C SNC



Driver LC 45W 500-1400mA bDW SC PRE2



4remote BT App



FRAME 2700K ON/OFF	
FRAME 1 12,5W 2700K 12° 1170LM BLACK RAL 9005 IP20 230 VAC	0806010.1
FRAME 2 25W 2700K 12° 2340LM BLACK RAL 9005 IP20 230 VAC	0806010.2
FRAME 3 37,5W 2700K 12° 3510LM BLACK RAL 9005 IP20 230 VAC	0806010.3
FRAME 1 12,5W 2700K 24° 1170LM BLACK RAL 9005 IP20 230 VAC	0806011.1
FRAME 2 25W 2700K 24° 2340LM BLACK RAL 9005 IP20 230 VAC	0806011.2
FRAME 3 37,5W 2700K 24° 3510LM BLACK RAL 9005 IP20 230 VAC	0806011.3
FRAME 1 12,5W 2700K 36° 1170LM BLACK RAL 9005 IP20 230 VAC	0806012.1
FRAME 2 25W 2700K 36° 2340LM BLACK RAL 9005 IP20 230 VAC	0806012.2
FRAME 3 37,5W 2700K 36° 3510LM BLACK RAL 9005 IP20 230 VAC	0806012.3

FRAME 3000K ON/OFF	
FRAME 1 12,5W 3000K 12° 1170LM BLACK RAL 9005 IP20 230 VAC	0806013.1
FRAME 2 25W 3000K 12° 2340LM BLACK RAL 9005 IP20 230 VAC	0806013.2
FRAME 3 37,5W 3000K 12° 3510LM BLACK RAL 9005 IP20 230 VAC	0806013.3
FRAME 1 12,5W 3000K 24° 1170LM BLACK RAL 9005 IP20 230 VAC	0806014.1
FRAME 2 25W 3000K 24° 2340LM BLACK RAL 9005 IP20 230 VAC	0806014.2
FRAME 3 37,5W 3000K 24° 3510LM BLACK RAL 9005 IP20 230 VAC	0806014.3
FRAME 1 12,5W 3000K 36° 1170LM BLACK RAL 9005 IP20 230 VAC	0806015.1
FRAME 2 25W 3000K 36° 2340LM BLACK RAL 9005 IP20 230 VAC	0806015.2
FRAME 3 37,5W 3000K 36° 3510LM BLACK RAL 9005 IP20 230 VAC	0806015.3

FRAME 4000K ON/OFF	
FRAME 1 12,5W 4000K 12° 1170LM BLACK RAL 9005 IP20 230 VAC	0806016.1
FRAME 2 25W 4000K 12° 2340LM BLACK RAL 9005 IP20 230 VAC	0806016.2
FRAME 3 37,5W 4000K 12° 3510LM BLACK RAL 9005 IP20 230 VAC	0806016.3
FRAME 1 12,5W 4000K 24° 1170LM BLACK RAL 9005 IP20 230 VAC	0806017.1
FRAME 2 25W 4000K 24° 2340LM BLACK RAL 9005 IP20 230 VAC	0806017.2
FRAME 3 37,5W 4000K 24° 3510LM BLACK RAL 9005 IP20 230 VAC	0806017.3
FRAME 1 12,5W 4000K 36° 1170LM BLACK RAL 9005 IP20 230 VAC	0806018.1
FRAME 2 25W 4000K 36° 2340LM BLACK RAL 9005 IP20 230 VAC	0806018.2
FRAME 3 37,5W 4000K 36° 3510LM BLACK RAL 9005 IP20 230 VAC	0806018.3

FRAME 2700K DALI	
FRAME 1 12,5W 2700K 12° 1170LM BLACK RAL 9005 IP20 230 VAC DALI	0806001D.1
FRAME 2 25W 2700K 12° 2340LM BLACK RAL 9005 IP20 230 VAC DALI	0806001D.2
FRAME 3 37,5W 2700K 12° 3510LM BLACK RAL 9005 IP20 230 VAC DALI	0806001D.3
FRAME 1 12,5W 2700K 24° 1170LM BLACK RAL 9005 IP20 230 VAC DALI	0806002D.1
FRAME 2 25W 2700K 24° 2340LM BLACK RAL 9005 IP20 230 VAC DALI	0806002D.2
FRAME 3 37,5W 2700K 24° 3510LM BLACK RAL 9005 IP20 230 VAC DALI	0806002D.3
FRAME 1 12,5W 2700K 36° 1170LM BLACK RAL 9005 IP20 230 VAC DALI	0806003D.1
FRAME 2 25W 2700K 36° 2340LM BLACK RAL 9005 IP20 230 VAC DALI	0806003D.2
FRAME 3 37,5W 2700K 36° 3510LM BLACK RAL 9005 IP20 230 VAC DALI	0806003D.3

FRAME 3000K DALI	
FRAME 1 12,5W 4000K 12° 1170LM BLACK RAL 9005 IP20 230 VAC DALI	0806007D.1
FRAME 2 25W 4000K 12° 2340LM BLACK RAL 9005 IP20 230 VAC DALI	0806007D.2
FRAME 3 37,5W 4000K 12° 3510LM BLACK RAL 9005 IP20 230 VAC DALI	0806007D.3
FRAME 1 12,5W 4000K 24° 1170LM BLACK RAL 9005 IP20 230 VAC DALI	0806008D.1
FRAME 2 25W 4000K 24° 2340LM BLACK RAL 9005 IP20 230 VAC DALI	0806008D.2
FRAME 3 37,5W 4000K 24° 3510LM BLACK RAL 9005 IP20 230 VAC DALI	0806008D.3
FRAME 1 12,5W 4000K 36° 1170LM BLACK RAL 9005 IP20 230 VAC DALI	0806009D.1
FRAME 2 25W 4000K 36° 2340LM BLACK RAL 9005 IP20 230 VAC DALI	0806009D.2
FRAME 3 37,5W 4000K 36° 3510LM BLACK RAL 9005 IP20 230 VAC DALI	0806009D.3

FRAME 4000K DALI	
FRAME 1 12,5W 3000K 12° 1170LM BLACK RAL 9005 IP20 230 VAC DALI	0806004D.1
FRAME 2 25W 3000K 12° 2340LM BLACK RAL 9005 IP20 230 VAC DALI	0806004D.2
FRAME 3 37,5W 3000K 12° 3510LM BLACK RAL 9005 IP20 230 VAC DALI	0806004D.3
FRAME 1 12,5W 3000K 24° 1170LM BLACK RAL 9005 IP20 230 VAC DALI	0806005D.1
FRAME 2 25W 3000K 24° 2340LM BLACK RAL 9005 IP20 230 VAC DALI	0806005D.2
FRAME 3 37,5W 3000K 24° 3510LM BLACK RAL 9005 IP20 230 VAC DALI	0806005D.3
FRAME 1 12,5W 3000K 36° 1170LM BLACK RAL 9005 IP20 230 VAC DALI	0806006D.1
FRAME 2 25W 3000K 36° 2340LM BLACK RAL 9005 IP20 230 VAC DALI	0806006D.2
FRAME 3 37,5W 3000K 36° 3510LM BLACK RAL 9005 IP20 230 VAC DALI	0806006D.3